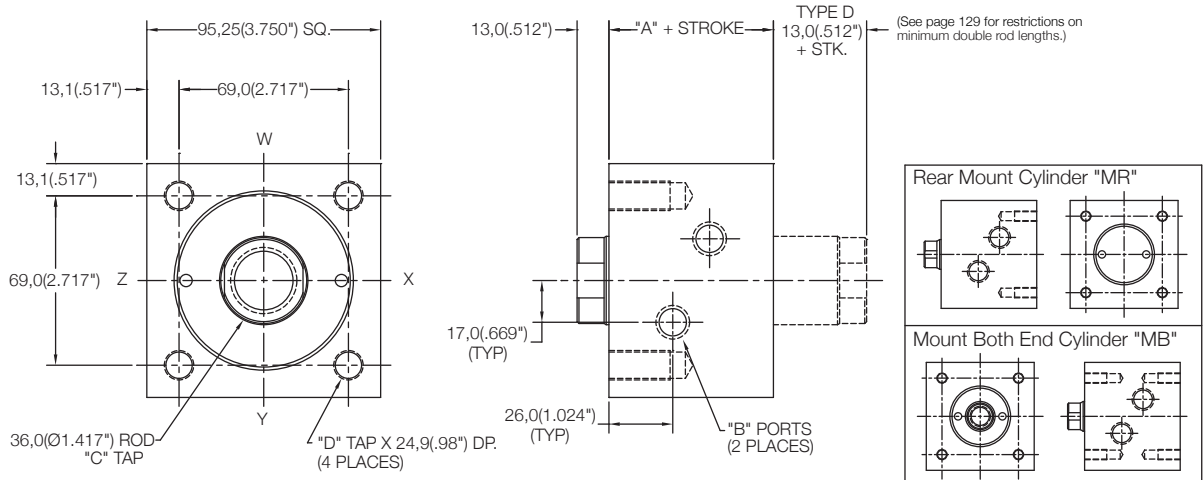


Front Mount Cylinder "MF"

MODEL	TYPE	STANDARD STROKES	"A"	PISTON AREA
L30	_,D	25mm, 50mm, 75mm, 100mm	67,0(2.64")	PUSH 31,17 cm ² (4.83 in ²) PULL 20,99 cm ² (3.25 in ²)

	Standard Threads	"EM" Option
"B"	G1/4	#4 SAE
"C"	M27X3	1-14
"D"	M12X1.75	1/2-20



Thru Mount Cylinder "MT"

MODEL	TYPE	STANDARD STROKES	"A"	PISTON AREA
L30	_,D	25mm, 50mm, 75mm, 100mm	67,0(2.64")	PUSH 31,17 cm ² (4.83 in ²) PULL 20,99 cm ² (3.25 in ²)

	Standard Threads	"EM" Option
"B"	G1/4	#4 SAE
"C"	M27X3	1-14

