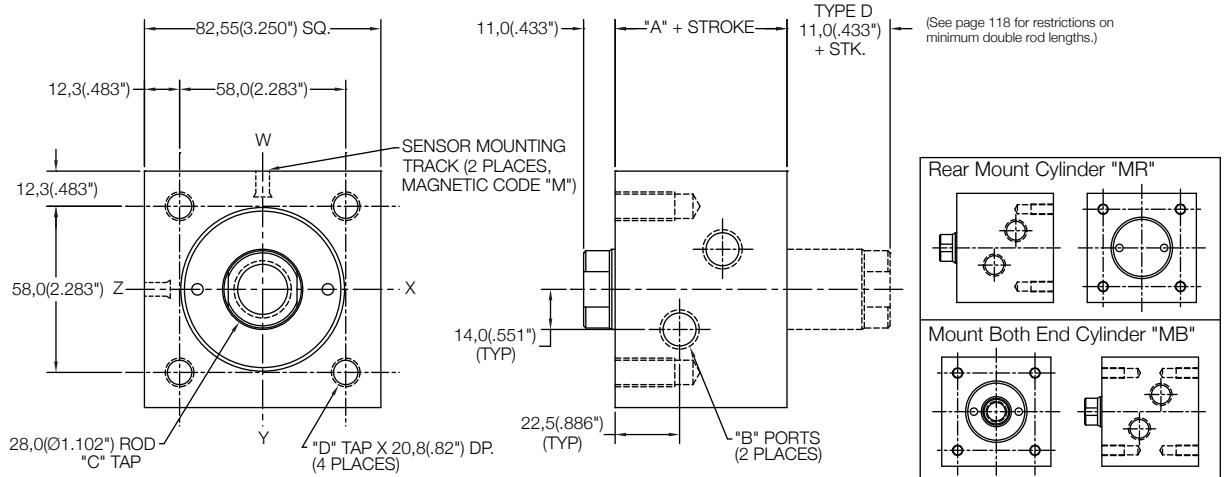


Front Mount Cylinder "MF"

MODEL	TYPE	STANDARD STROKES	"A"	PISTON AREA
L20	..D	25mm, 50mm, 75mm, 100mm	60,0(2.36")	PUSH 19,63 cm ² (3.04 in ²) PULL 13,48 cm ² (2.09 in ²)

	Standard Threads	"EM" Option
"B"	G1/4	#4 SAE
"C"	M20X2.5	3/4-16
"D"	M10X1.5	3/8-24



Thru Mount Cylinder "MT"

MODEL	TYPE	STANDARD STROKES	"A"	PISTON AREA
L20	..D	25mm, 50mm, 75mm, 100mm	60,0(2.36")	PUSH 19,63 cm ² (3.04 in ²) PULL 13,48 cm ² (2.09 in ²)

	Standard Threads	"EM" Option
"B"	G1/4	#4 SAE
"C"	M20X2.5	3/4-16

