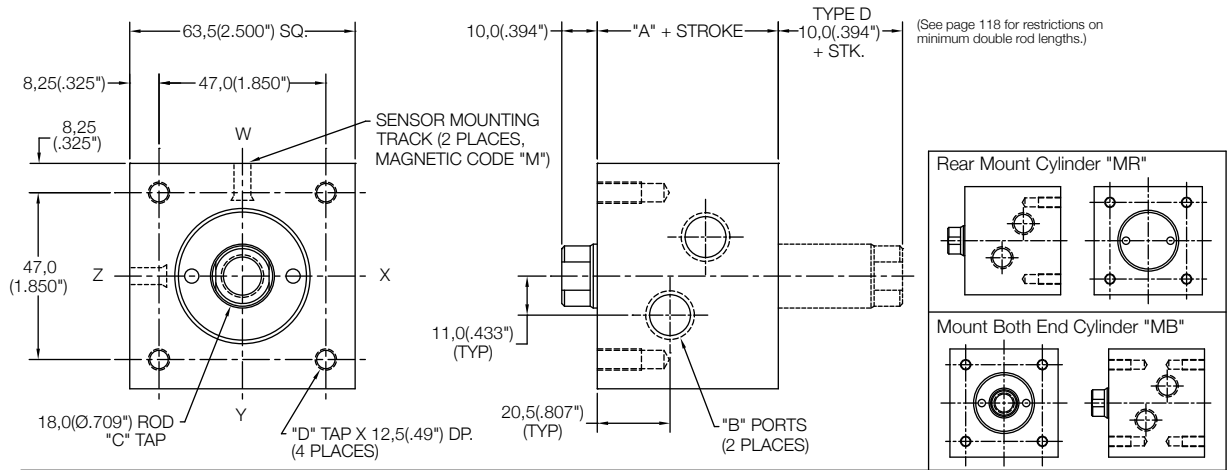


### Front Mount Cylinder "MF"

MODEL	TYPE	STANDARD STROKES	"A"	PISTON AREA
L20	_,D	25mm, 50mm, 75mm, 100mm	51,0(2.01")	PUSH 8,04 cm <sup>2</sup> (1.25 in <sup>2</sup> ) PULL 5,50 cm <sup>2</sup> (0.85 in <sup>2</sup> )

	Standard Threads	"EM" Option
"B"	G1/4	#4 SAE
"C"	M12X1,75	7/16-20
"D"	M6X1	1/4-28



### Thru Mount Cylinder "MT"

MODEL	TYPE	STANDARD STROKES	"A"	PISTON AREA
L20	_,D	25mm, 50mm, 75mm, 100mm	51,0(2.01")	PUSH 8,04 cm <sup>2</sup> (1.25 in <sup>2</sup> ) PULL 5,50 cm <sup>2</sup> (0.85 in <sup>2</sup> )

	Standard Threads	"EM" Option
"B"	G1/4	#4 SAE
"C"	M12X1,75	7/16-20

