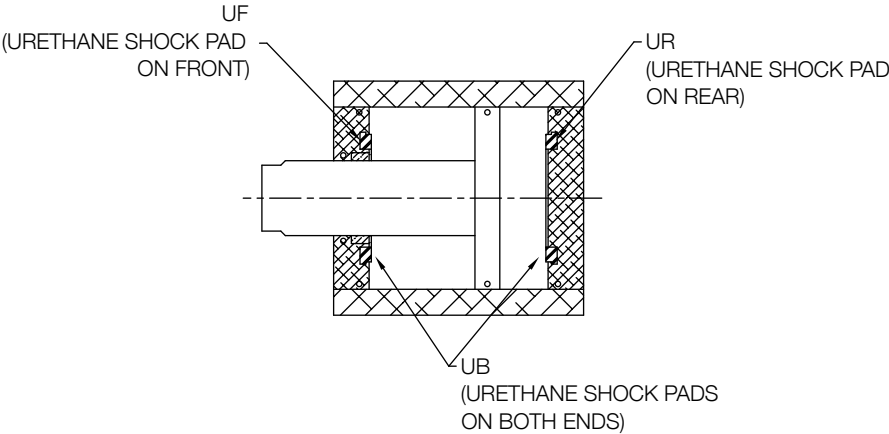


**Urethane Shock Pads
Option - "UF", "UR", "UB"**



- Urethane shock pads available on 20mm thru 76mm Bores in models LS, LE, LH, and LC.
- Pneumatic service only.
- Temperature rating: -18 C to 82 C (0 F -180 F).
- Use for increased noise reduction, minor piston impact, or high cycle rates.
- Does not increase cylinder length.
- Shock pads mechanically retained in cap and head.
- Shock pads are replaceable.
- Shock pads are NOT suitable replacements in applications requiring shock absorbers.

Seal Options

OPTION	MATERIAL	MODEL	BORE SIZE	PRESSURE RATING	TEMPERATURE RATING	MEDIA
BLANK (NO CODE)	NITRILE	LS, LE, LH	12mm 20mm thru 76mm 101mm thru 152mm	10 BAR (150 PSI) 17 BAR (250 PSI) 14 BAR (200 PSI)	-18 C to 95 C (0 F to 200 F)	Air (Clean, Dry or Lubricated)
HS	FLUOROCARBON	LE, LH	12mm 20mm thru 76mm 101mm thru 152mm	10 BAR (150 PSI) 17 BAR (250 PSI) 14 BAR (200 PSI)	-18 C to 150 C (0 F to 302 F)	Air (Clean, Dry or Lubricated)
SH	NITRILE	LS, LE, LH	20mm thru 76mm	35 BAR (500 PSI)	-10 C to 70 C (14 F to 158 F)	Hydraulic Fluid (Mineral Oil, Water Polyglycol Solutions Water-in-Oil Emulsions)

- Temperature and pressure ratings are based on a combination of seal materials, lubrication, and cylinder design.
- For higher or lower temperature and/or pressure ratings, consult Nason for a custom solution. Nason has successfully designed cylinders to operate at temperature extremes of -40 F and +500 F respectively, as well pressures as low as 5PSI and as high as 3000 PSI.