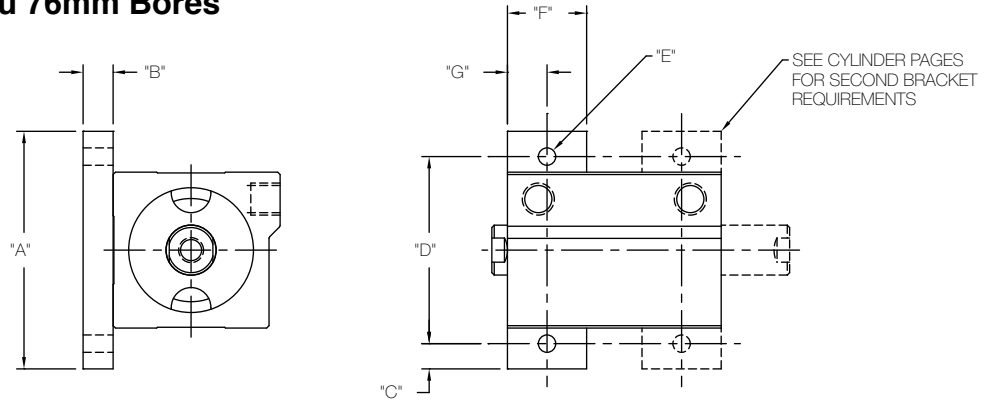


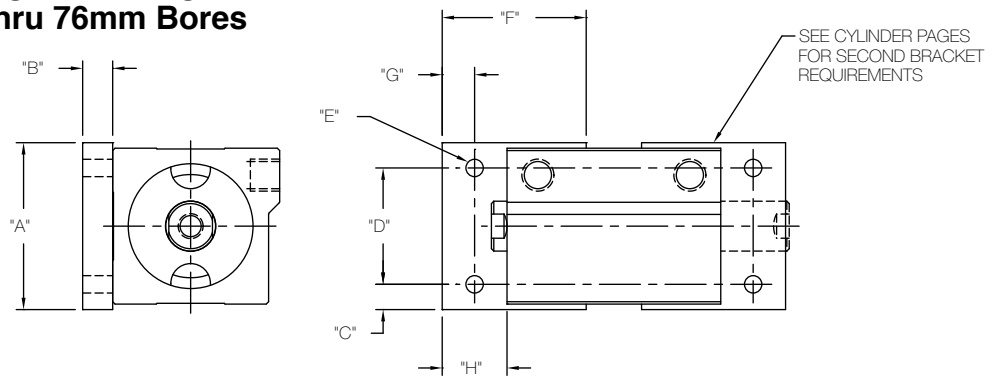
Side Flange Mounting - "FS" 12mm Thru 76mm Bores



Material: Anodized Aluminum

Bore	"A"	"B"	"C"	"D"	"E"	"F"	"G"
12	44,5 (1.75")	6,35 (.25")	4,8 (.19")	35 (1.38")	4,5 (.18")	16 (.63")	7,9 (.31")
20	50,8 (2.0")	9,5 (.38")	5,4 (.21")	40 (1.58")		19 (.75")	9,5 (.38")
25			3,9 (.15")	43 (1.69")			
28,5	63,5 (2.5")	4,8 (.19")	6,35 (.25")	50,8 (2.0")	5,5 (.22")	25,4 (1.00")	12,7 (.50")
32			5,75 (.23")	52 (2.05")			
40	76,2 (3")	9,5 (.38")	8,1 (.32")	60 (2.36")	5,5 (.22")	25,4 (1.00")	12,7 (.50")
50	93 (3.66")		12,7 (.50")	7,5 (.30")			
63	120 (4.72")	19 (.75")	9,0 (.35")	102 (4.02")	10,5 (.41")	25,4 (1.00")	12,7 (.50")
76	133 (5.24")			115 (4.53")			

End Flange Mounting - "FE" 12mm Thru 76mm Bores



Material: Anodized Aluminum

Bore	"A"	"B"	"C"	"D"	"E"	"F"	"G"	"H"
12	25,4 (1.00")	6,35 (.25")	4,2 (.17")	17,0 (.67")	4,5 (.18")	24,0 (.95")	4,0 (.16")	8,0 (.32")
20	31,8 (1.25")	9,5 (.38")	4,4 (.17")	23,0 (.91")		27,0 (1.06")		
25	38,1 (1.50")		4,05 (.16")	30,0 (1.18")				
28,5	38,1 (1.50")	4,8 (.19")	4,8 (.19")	28,6 (1.13")	5,6 (.22")	28,6 (1.13")	4,8 (.19")	9,7 (.38")
32	44,5 (1.75")	9,5 (.38")	5,0 (.20")	34,5 (1.36")	5,5 (.22")	35,4 (1.39")	5,0 (.20")	10,0 (.39")
40	50,8 (2.00")		4,9 (.19")	41,0 (1.61")				
50	63,5 (2.50")	12,7 (.50")	8,0 (.32")	47,5 (1.87")	8,5 (.33")	41,4 (1.63")	8,0 (.32")	16,0 (.63")
63	76,2 (3.00")	19 (.75")	10,1 (.40")	56,0 (2.20")	10,5 (.41")	45,4 (1.79")	10,0 (.39")	20,0 (.79")
76	88,9 (3.50")		9,95 (.39")	69,0 (2.72")				