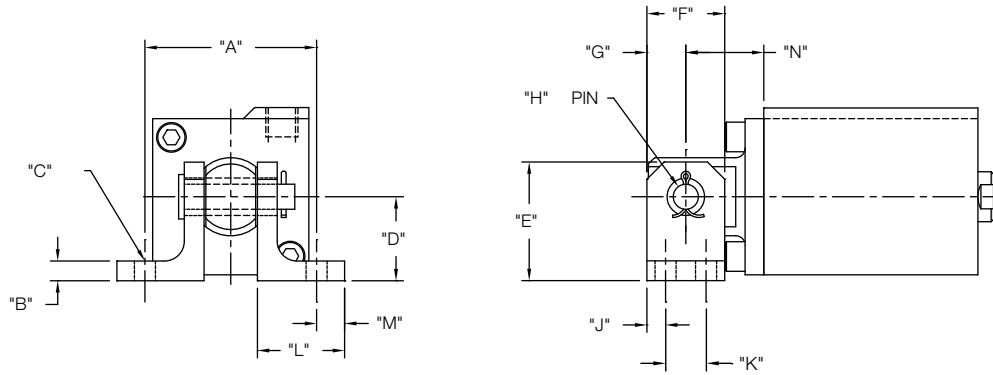


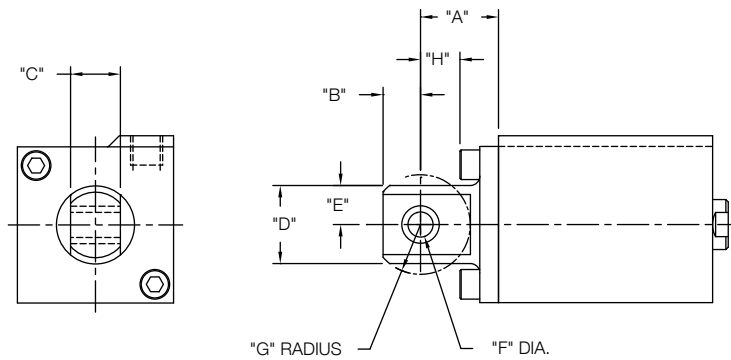
Long Pivot Mounting Style - "PL"



Bore	"A"	"B"	"C"	"D"	"E"	"F"	"G"	"H"	"J"	"K"	"L"	"M"	"N"	
20	48,8 (1.92")	6,35 (.25")	5,4 (.21")	20 (.79")	31,8 (1.25")	25 (.98")	12,5 (.49")	8,0 (.32")	6,0 (.24")	13 (.51")	25,0 (.98")	7,0 (.28")	23,0 (.91")	
25	52,8 (2.08")													
28.5	48,3 (1.90")													
32	54,9 (2.16")	9,53 (.38")	6,8 (.27")	22 (.87")	31,8 (1.25")	25 (.98")	12,5 (.49")	8,0 (.32")	6,0 (.24")	13 (.51")	28,0 (1.10")	9,0 (.35")	25,0 (.98")	
40	58,7 (2.31")													27 (1.06")
50	65,8 (2.59")		8,7 (.34")	34 (1.34")	50,8 (2.00")	35 (1.38")	17,5 (.69")	10,0 (.39")	10,0 (.39")	20 (.79")	40,0 (1.58")	16,0 (.63")	13,0 (.51")	40,0 (1.58")
63	67,8 (2.67")													
76	73,7 (2.90")													

- LONG PIVOTS ALLOW FOR A MINIMUM 180° OF MOVEMENT
- LONG PIVOTS ARE ANODIZED ALUMINUM WITH SINTERED BRONZE BEARINGS
- PIVOT PINS ARE STEEL WITH STEEL COTTER PIN, INCLUDED

Pivot on Rear Face Mounting Style - "PR"



Bore	"A"	"B"	"C"	"D"	"E"	"F"	"G"	"H"
12	20 (.79")	5,9 (.23")	6 (.24")	12 (.47")	6 (.24")	5 (.20")	13,9 (.55")	10,9 (.43")
20	23 (.91")	12 (.47")	22 (.87")	11 (.43")	8 (.32")	14 (.55")	12,5 (.49")	
25								15,5 (.61")
28.5	25 (.98")	16 (.63")	25 (.98")	12,5 (.49")	7,9 (.31")	16 (.63")	12 (.47")	
32								
40								
50	40 (1.58")	14 (.55")	19 (.75")	35 (1.38")	17,5 (.69")	10 (.39")	25 (.98")	23 (.91")
63								21 (.83")
76								25 (.98")

- REAR PIVOT CAN BE ROTATED 90°
- REAR PIVOT OPTION IS ONLY AVAILABLE ON SINGLE END MODELS ONLY
- REAR PIVOTS ARE ANODIZED ALUMINUM WITH A SINTERED BRONZE BEARING