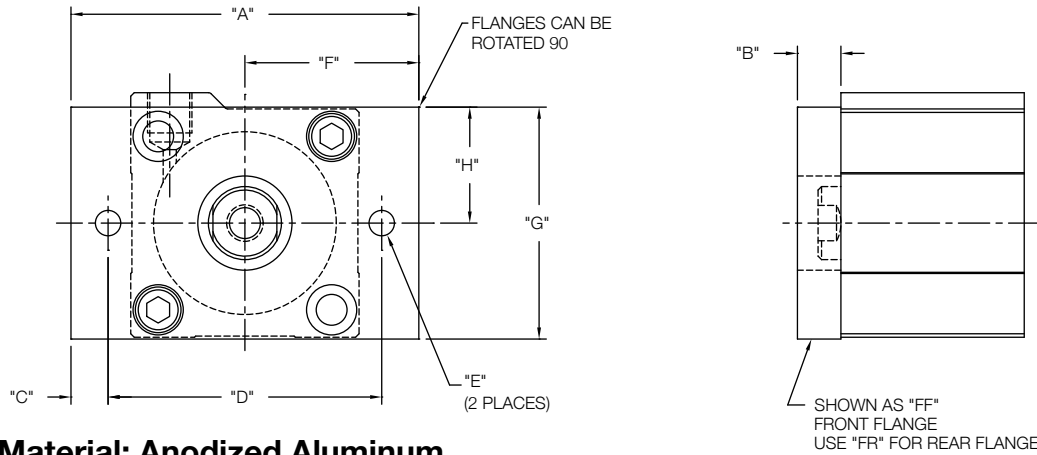
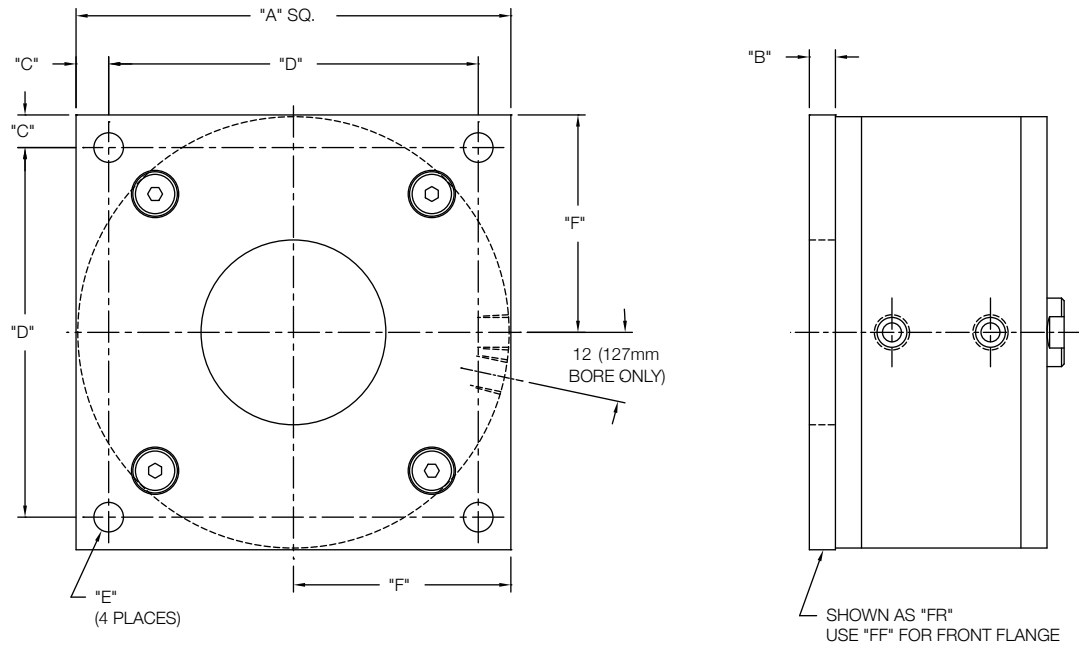


Face Flange Mounting - "FF" & "FR"
12mm Thru 76mm Bores



Material: Anodized Aluminum

Face Flange Mounting - "FF" & "FR"
101mm Thru 152mm Bores



Material:
101mm Bore - Anodized Aluminum
127mm & 152mm Bore - Zinc Plated Steel

BORE	"A"	"B"	"C"	"D"	"E"	"F"	"G"	"H"
12	50,8 (2.0")	6,4 (.25")	5,4 (.21")	40,0 (1.58")	4,5 (.18")	25,4 (1.0")	22,2 (0.88")	11,1 (.44")
20		9,5 (.38")	3,9 (.15")	43,0 (1.69")			31,8 (1.25")	15,9 (.63")
25		3,9 (.15")	43,0 (1.69")	31,8 (1.25")			19,05 (.75")	
28,5	63,5 (2.5")	6,4 (.25")	6,4 (.25")	50,8 (2.00")	5,5 (.22")	31,8 (1.25")	38,1 (1.50")	22,25 (.88")
32	9,5 (.38")	5,75 (.23")	52,0 (2.05")	44,5 (1.75")			22,25 (.88")	
40	76,2 (3.0")	8,1 (.32")	60,0 (2.36")	38,1 (1.50")			50,8 (2.00")	25,4 (1.00")
50	93,0 (3.66")	12,7 (.50")	7,5 (.30")	78,0 (3.07")	8,5 (.33")	46,5 (1.83")	63,5 (2.50")	31,8 (1.25")
63	120,0 (4.72")		9,0 (.35")	102,0 (4.02")	10,5 (.41")	59,9 (2.36")	76,2 (3.00")	38,1 (1.50")
76	133,1 (5.24")		8,1 (.32")	115,1 (4.53")	8,64 (.34")	66,5 (2.62")	88,9 (3.50")	44,45 (1.75")
101	127,0 (5.0")	19,05 (.75")	9,5 (.38")	108,0 (4.25")	8,64 (.34")	63,5 (2.50")	N/A	N/A
127	177,8 (7.0")	9,5 (.38")	12,7 (.50")	152,4 (6.00")	10,5 (.41")	88,9 (3.50")		
152								