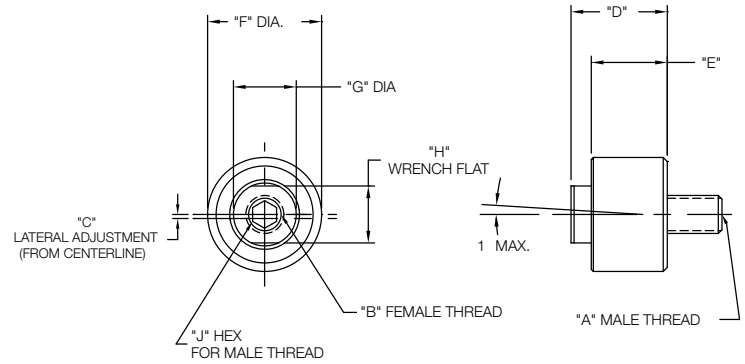


Features

- Hardened Steel Components with Black Oxide Finish
- 0,15mm (.006") Max. Axial Play
- Temperature rating -10 C to 204 C (0 F to 400 F)



Bore Part Number	A Male Thread	B Female Thread	C	D	E	F	G	H	J	Load Rating
										Max Pull 5 X S.F.
AC-M4	M4x0,7 X 6,3mm	M4x0,7 X 5,5mm	0,5 (.02")	10,3 (.40")	8,7 (.34")	14,0 (.55")	6,0 (.24")	5,0 (.20")	2,5	.67 kN (150 lbs.)
AC-M4-C8	M4x0,7 X 6,3mm	#8-32 X .22"								
AC-C8	#8-32 X .31"	#8-32 X .22"								
AC-C8-M4	#8-32 X .31"	M4x0,7 X 5,5mm	0,8 (.03")	14,3 (.56")	10,3 (.41")	19,0 (.75")	8,0 (.31")	7,0 (.28")	5/64	
AC-M5	M5x0,8 X 8,4mm	M5x0,8 X 8,0mm								
AC-M5-F10	M5x0,8 X 8,4mm	#10-32 X .31"								
AC-M5-C10	M5x0,8 X 8,4mm	#10-24 X .31"								
AC-F10	#10-32 X .31"	#10-32 X .31"								
AC-F10-M5	#10-32 X .31"	M5x0,8 X 8,0mm								
AC-F10-C10	#10-32 X .31"	#10-24 X .31"	0,8 (.03")	19,3 (.76")	14,3 (.56")	28,5 (1.13")	12,7 (.50")	11,0 (.43")	3	1.11 kN (250 lbs.)
AC-C10	#10-24 X .31"	#10-24 X .31"								
AC-C10-M5	#10-24 X .31"	M5x0,8 X 8,0mm								
AC-C10-F10	#10-24 X .31"	#10-32 X .31"								
AC-M6	M6x1,0 X 9,5mm	M6x1,0 X 11,0mm								
AC-M6-C14	M6x1,0 X 9,5mm	1/4-20 X .44"								
AC-M6-F14	M6x1,0 X 9,5mm	1/4-28 X .44"	0,8 (.03")	19,3 (.76")	14,3 (.56")	28,5 (1.13")	12,7 (.50")	11,0 (.43")	4	3.55 kN (800 lbs.)
AC-C14	1/4-20 X .41"	1/4-20 X .44"								
AC-C14-M6	1/4-20 X .41"	M6x1,0 X 11,0mm								
AC-C14-F14	1/4-20 X .41"	1/4-28 X .44"								
AC-F14	1/4-28 X .41"	1/4-28 X .44"								
AC-F14-M6	1/4-28 X .41"	M6x1,0 X 11,0mm								
AC-F14-C14	1/4-28 X .41"	1/4-20 X .44"	0,8 (.03")	21,0 (.83")	16,0 (.63")	28,5 (1.13")	12,7 (.50")	11,0 (.43")	5	4.66 kN (1050 lbs.)
AC-M8	M8x1,25 X 13,7mm	M8x1,25 X 12,0mm								
AC-M8-C516	M8x1,25 X 13,7mm	5/16-18 X .50"								
AC-M8-F516	M8x1,25 X 13,7mm	5/16-24 X .50"								
AC-C516	5/16-18 X .54"	5/16-18 X .50"								
AC-C516-M8	5/16-18 X .54"	M8x1,25 X 12,0mm								
AC-C516-F516	5/16-18 X .54"	5/16-24 X .50"	0,8 (.03")	24,0 (.95")	19,0 (.75")	28,5 (1.13")	16,0 (.63")	14,0 (.55")	5/32	7.11 kN (1600 lbs.)
AC-F516	5/16-24 X .54"	5/16-24 X .50"								
AC-F516-M8	5/16-24 X .54"	M8x1,25 X 12,0mm								
AC-F516-C516	5/16-24 X .54"	5/16-18 X .50"								
AC-M10	M10x1,5 X 13,7mm	M10x1,5 X 14,0mm								
AC-M10-F38	M10x1,5 X 13,7mm	3/8-24 X .56"								
AC-M10-C38	M10x1,5 X 13,7mm	3/8-16 X .56"	0,8 (.03")	24,0 (.95")	19,0 (.75")	28,5 (1.13")	16,0 (.63")	14,0 (.55")	6	7.11 kN (1600 lbs.)
AC-F38	3/8-24 X .54"	3/8-24 X .56"								
AC-F38-M10	3/8-24 X .54"	M10x1,5 X 14,0mm								
AC-F38-C38	3/8-24 X .54"	3/8-16 X .56"								
AC-C38	3/8-16 X .54"	3/8-16 X .56"								
AC-C38-M10	3/8-16 X .54"	M10x1,5 X 14,0mm								
AC-C38-F38	3/8-16 X .54"	3/8-24 X .56"	1,5 (.06")	33,5 (1.33")	28,5 (1.13")	38,0 (1.50)	19,0 (.75")	17,0 (.67")	8	15.55 kN (3500 lbs.)
AC-M12	M12x1,75 X 21,8mm	M12x1,75 X 22,0mm								
AC-M12-C12	M12x1,75 X 21,8mm	1/2-13 X .88"								
AC-M12-F12	M12x1,75 X 21,8mm	1/2-20 X .88"								
AC-C12	1/2-13 X .88"	1/2-13 X .88"								
AC-C12-M12	1/2-13 X .88"	M12x1,75 X 22,0mm								
AC-C12-F12	1/2-13 X .88"	1/2-20 X .88"	1,5 (.06")	33,5 (1.33")	28,5 (1.13")	38,0 (1.50)	19,0 (.75")	17,0 (.67")	1/4	15.55 kN (3500 lbs.)
AC-F12	1/2-20 X .88"	1/2-20 X .88"								
AC-F12-M12	1/2-20 X .88"	M12x1,75 X 22,0mm								
AC-F12-C12	1/2-20 X .88"	1/2-13 X .88"								