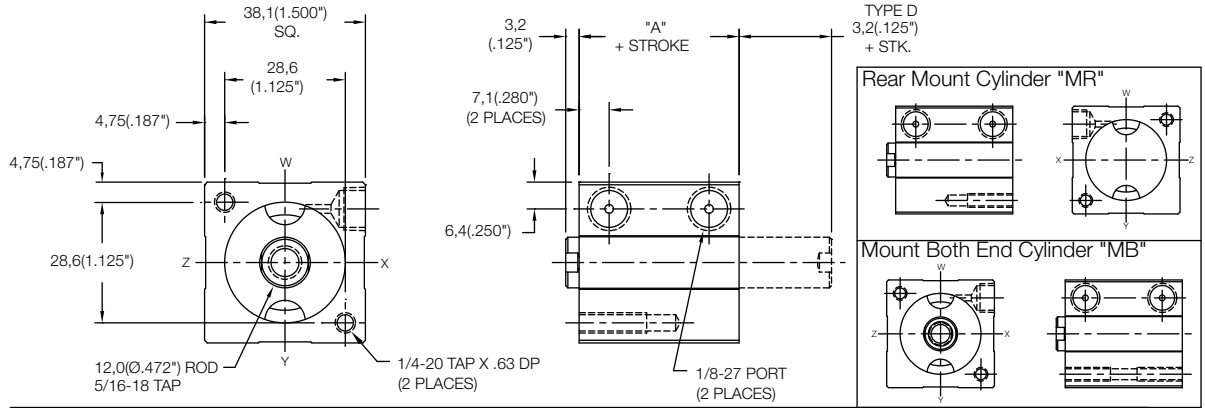


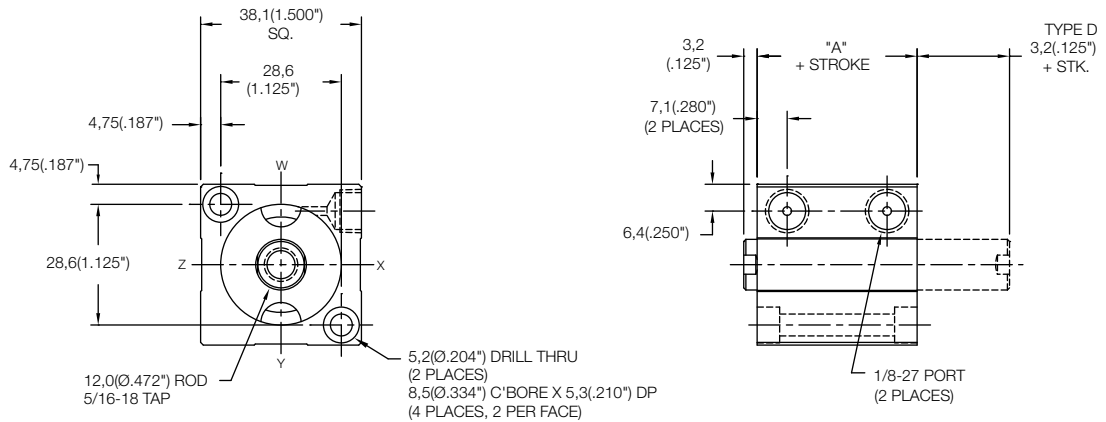
### Non Magnetic Front Mount Cylinder "MF"

| MODEL | TYPE | STANDARD STROKES | "A"          | PISTON AREA                                       |
|-------|------|------------------|--------------|---|
| LS    | _D   | 6,35mm - 101,6mm | 19,05(.75")  | PUSH 6,41 cm <sup>2</sup> (1.0 in <sup>2</sup> )  |
| LE    | -    | 6,35mm - 101,6mm | 25,4(1.00")  |   |
| LH    | _D   | 6,35mm - 101,6mm | 31,75(1.25") |   |
| LS    | S,R  | 6,35mm - 25,4mm  | 31,75(1.25") | PULL 5,28 cm <sup>2</sup> (0.82 in <sup>2</sup> ) |



### Non Magnetic Thru Mount Cylinder "MT"

| MODEL | TYPE | STANDARD STROKES | "A"          | PISTON AREA                                       |
|-------|------|------------------|--------------|---|
| LS    | _D   | 6,35mm - 25,4mm  | 19,05(.75")  | PUSH 6,41 cm <sup>2</sup> (1.0 in <sup>2</sup> )  |
| LE    | -    | 6,35mm - 19,05mm | 25,4(1.00")  |   |
| LH    | _D   | 6,35mm - 12,7mm  | 31,75(1.25") |   |
| LS    | S,R  | 6,35mm - 12,7mm  | 31,75(1.25") | PULL 5,28 cm <sup>2</sup> (0.82 in <sup>2</sup> ) |

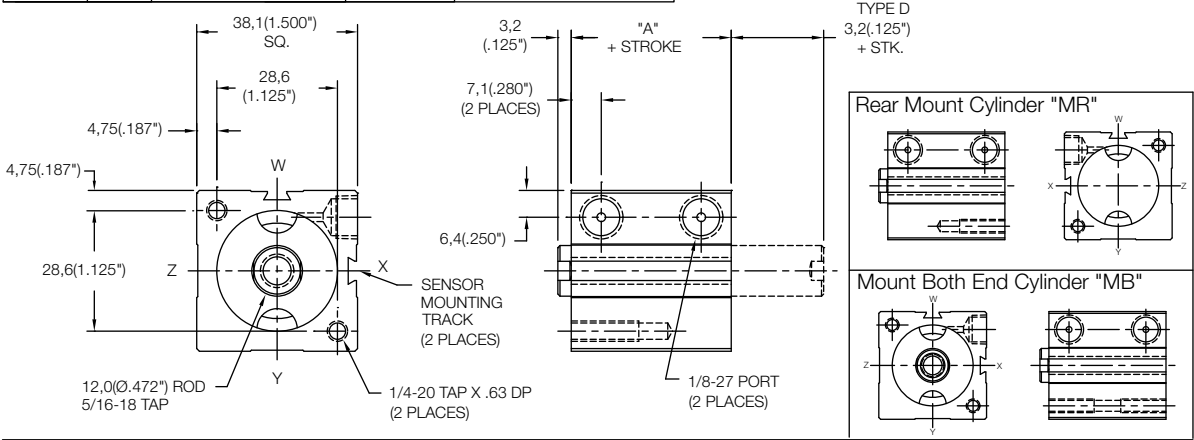


MODEL -  28,5 BORE X  STROKE  TYPE  MOUNTING -    OPTIONS

MODEL: LS, LE, LH  
 STROKE: 6,35mm - 101,6mm (SEE STROKE RANGE)  
 TYPE: BLANK - NO CODE, DOUBLE ACTING, SINGLE ROD; D - DOUBLE ACTING, DOUBLE ROD; S - SINGLE ACTING, SPRING RETRACT; R - SINGLE ACTING, SPRING EXTEND  
 MOUNTING: MT - THRU MOUNT; MF - FRONT MOUNT; MR - REAR MOUNT; MB - BOTH END MOUNTS; FF - FRONT FLANGE (FOR FLANGES SEE PAGE 58); PR - REAR PIVOT; PL - LONG PIVOT (FOR PIVOTS SEE PAGE 60)  
 OPTIONS: HS - HIGH TEMPERATURE SEALS OPTION: AVAILABLE ON LE AND LH MODELS ONLY (SEE PAGE 62); RE - ROD EYE (SEE PAGE 61); RS - MALE STUD FOR ROD END (SEE PAGE 61); RF, RH, RN, RT, RV, RY - ROD EXTENSIONS (SEE PAGE 61); SH - HYDRAULIC OPTION (35 BAR 500 PSI) (SEE PAGE 62); UB, UF, UR - URETHANE SHOCK PAD OPTION (SEE PAGE 62)

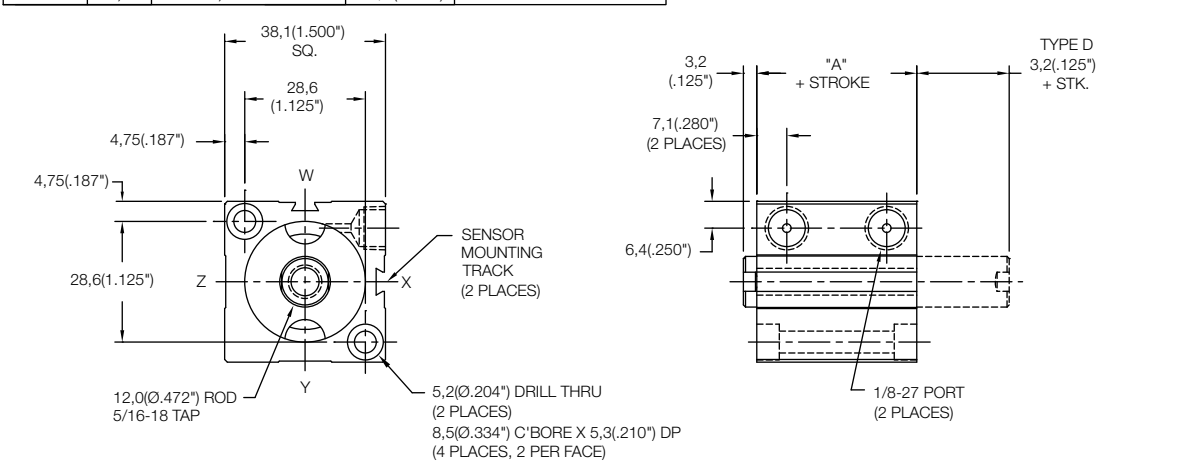
**Magnetic Front Mount Cylinder "MF"**

| MODEL | TYPE | STANDARD STROKES | "A"          | PISTON AREA                                       |
|-------|------|------------------|--------------|---|
| LS    | _,D  | 6,35mm - 101,6mm | 25,4(1.00")  | PUSH 6,41 cm <sup>2</sup> (1.0 in <sup>2</sup> )  |
| LE    | _    | 6,35mm - 101,6mm | 31,75(1.25") |   |
| LH    | _,D  | 6,35mm - 101,6mm | 38,1(1.50")  | PULL 5,28 cm <sup>2</sup> (0.82 in <sup>2</sup> ) |
| LS    | S,R  | 6,35mm - 25,4mm  | 38,1(1.50")  |   |



**Magnetic Thru Mount Cylinder "MT"**

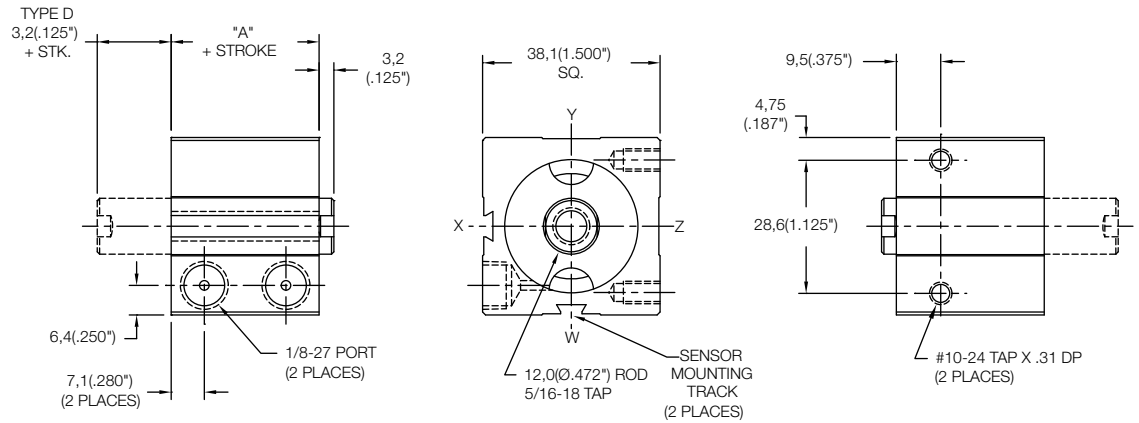
| MODEL | TYPE | STANDARD STROKES | "A"          | PISTON AREA                                       |
|-------|------|------------------|--------------|---|
| LS    | _,D  | 6,35mm - 19,05mm | 25,4(1.00")  | PUSH 6,41 cm <sup>2</sup> (1.0 in <sup>2</sup> )  |
| LE    | _    | 6,35mm - 12,7mm  | 31,75(1.25") |   |
| LH    | _,D  | 6,35mm           | 38,1(1.50")  | PULL 5,28 cm <sup>2</sup> (0.82 in <sup>2</sup> ) |
| LS    | S,R  | 6,35mm           | 38,1(1.50")  |   |



|  |                         |                        |             |                 |                          |   |   |
|--|-------------------------|------------------------|-------------|-----------------|--------------------------|---|---|
| <p>MODEL</p> <p>LS<br/>LE<br/>LH</p> <p>6,35mm - 101,6mm STROKE<br/>(SEE STROKE RANGE)</p> <p>BLANK - NO CODE, DOUBLE ACTING, SINGLE ROD</p> <p>D - DOUBLE ACTING, DOUBLE ROD<br/>S - SINGLE ACTING, SPRING RETRACT<br/>R - SINGLE ACTING, SPRING EXTEND</p> <p>MT - THRU MOUNT<br/>MF - FRONT MOUNT<br/>MR - REAR MOUNT<br/>MB - BOTH END MOUNTS<br/>FF - FRONT FLANGE<br/>FR - REAR FLANGE<br/>(FOR FLANGES SEE PAGE 58)</p> <p>PR - REAR PIVOT<br/>PL - LONG PIVOT<br/>(FOR PIVOTS SEE PAGE 60)</p> | <p>BORE</p> <p>28,5</p> | <p>STROKE</p> <p>X</p> | <p>TYPE</p> | <p>MOUNTING</p> | <p>MAGNETIC</p> <p>M</p> | <p>OPTIONS</p> <p>HS - HIGH TEMPERATURE SEALS OPTION:<br/>AVAILABLE ON LE AND LH MODELS ONLY<br/>(SEE PAGE 62)</p> <p>RE - ROD EYE<br/>(SEE PAGE 61)</p> <p>RS - MALE STUD FOR ROD END<br/>(SEE PAGE 61)</p> <p>RF, RH, RN, RT, RV, RY - ROD EXTENSIONS<br/>(SEE PAGE 61)</p> <p>SH - HYDRAULIC OPTION (35 BAR 500 PSI)<br/>(SEE PAGE 62)</p> <p>UB, UF, UR - URETHANE SHOCK PAD OPTION<br/>(SEE PAGE 62)</p> | <p>SENSORS SOLD SEPERATELY<br/>SKS, SKP, SCS, SCP - SOLID STATE<br/>LIMIT SENSORS (SEE PAGE 54)</p> |
|--|-------------------------|------------------------|-------------|-----------------|--------------------------|---|---|

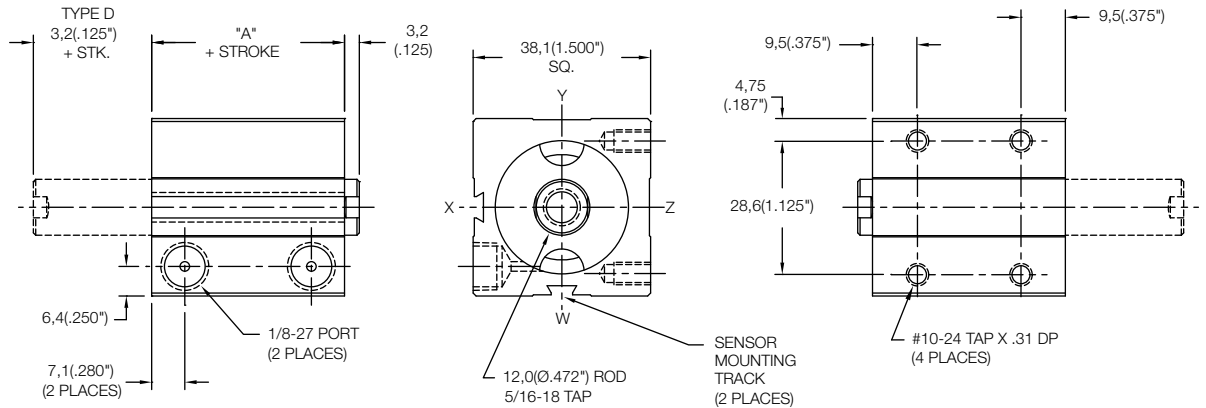
### Magnetic Side Mount Cylinder "MS"

| MODEL | TYPE | STANDARD STROKES | "A"          | PISTON AREA                                       |
|-------|------|------------------|--------------|---|
| LS    | _,D  | 6,35mm - 12,7mm  | 25,4(1.00")  | PUSH 6,41 cm <sup>2</sup> (1.0 in <sup>2</sup> )  |
| LE    | -    | 6,35mm           | 31,75(1.25") | PULL 5,28 cm <sup>2</sup> (0.82 in <sup>2</sup> ) |



### Magnetic Side Mount Cylinder "MS"

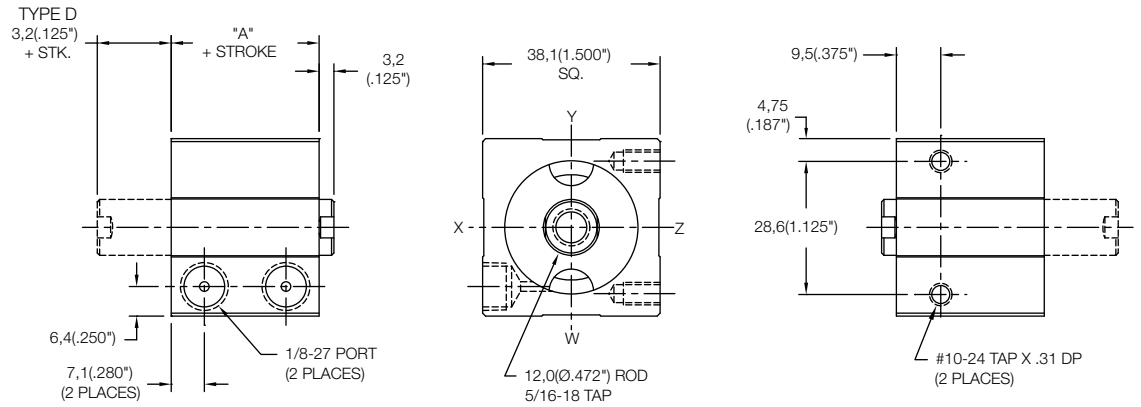
| MODEL | TYPE | STANDARD STROKES  | "A"          | PISTON AREA                                       |
|-------|------|-------------------|--------------|---|
| LS    | _,D  | 19,05mm - 101,6mm | 25,4(1.00")  | PUSH 6,41 cm <sup>2</sup> (1.0 in <sup>2</sup> )  |
| LE    | -    | 12,7mm - 101,6mm  | 31,75(1.25") | PUSH 6,41 cm <sup>2</sup> (1.0 in <sup>2</sup> )  |
| LH    | _,D  | 6,35mm - 101,6mm  | 38,1(1.50")  | PULL 5,28 cm <sup>2</sup> (0.82 in <sup>2</sup> ) |
| LS    | S,R  | 6,35mm - 25,4mm   | 38,1(1.50")  | PULL 5,28 cm <sup>2</sup> (0.82 in <sup>2</sup> ) |



|   |   |
|---|---|
| <p>MODEL - BORE X STROKE TYPE MOUNTING MAGNETIC - OPTIONS</p> <p>LS<br/>LE<br/>LH</p> <p>6.35mm - 101.6mm STROKE (SEE STROKE RANGE)</p> <p>BLANK - NO CODE, DOUBLE ACTING, SINGLE ROD</p> <p>D - DOUBLE ACTING, DOUBLE ROD</p> <p>S - SINGLE ACTING, SPRING RETRACT</p> <p>R - SINGLE ACTING, SPRING EXTEND</p> <p>MS - SIDE MOUNT</p> <p>FE - FLANGE ON END</p> <p>FS - FLANGE ON SIDE (SEE PAGE 59)</p> | <p>SENSORS SOLD SEPARATELY</p> <p>SKS, SKP, SCS, SCP - SOLID STATE LIMIT SENSORS (SEE PAGE 54)</p> <p>HS - HIGH TEMPERATURE SEALS OPTION: AVAILABLE ON LE AND LH MODELS ONLY (SEE PAGE 62)</p> <p>RE - ROD EYE (SEE PAGE 61)</p> <p>RS - MALE STUD FOR ROD END (SEE PAGE 61)</p> <p>RF, RH, RN, RT, RV, RY - ROD EXTENSIONS (SEE PAGE 61)</p> <p>SH - HYDRAULIC OPTION (35 BAR 500 PSI) (SEE PAGE 62)</p> <p>UB, UF, UR - URETHANE SHOCK PAD OPTION (SEE PAGE 62)</p> |
|---|---|

### Non Magnetic Side Mount Cylinder "MS"

| MODEL | TYPE | STANDARD STROKES | "A"          | PISTON AREA                                       |
|-------|------|------------------|--------------|---|
| LS    | _D   | 6,35mm - 19,05mm | 19,05(0.75") | PUSH 6,41 cm <sup>2</sup> (1.0 in <sup>2</sup> )  |
| LE    | -    | 6,35mm - 12,7mm  | 25,4(1.00")  | PULL 5,28 cm <sup>2</sup> (0.82 in <sup>2</sup> ) |
| LH    | _D   | 6,35mm           | 31,75(1.25") | PULL 5,28 cm <sup>2</sup> (0.82 in <sup>2</sup> ) |



### Non Magnetic Side Mount Cylinder "MS"

| MODEL | TYPE | STANDARD STROKES  | "A"          | PISTON AREA                                       |
|-------|------|-------------------|--------------|---|
| LS    | _D   | 25,4mm - 101,6mm  | 19,05(0.75") | PUSH 6,41 cm <sup>2</sup> (1.0 in <sup>2</sup> )  |
| LE    | -    | 19,05mm - 101,6mm | 25,4(1.00")  | PULL 5,28 cm <sup>2</sup> (0.82 in <sup>2</sup> ) |
| LH    | _D   | 12,7mm - 101,6mm  | 31,75(1.25") | PULL 5,28 cm <sup>2</sup> (0.82 in <sup>2</sup> ) |
| LS    | S,R  | 6,35mm - 25,4mm   | 31,75(1.25") | PULL 5,28 cm <sup>2</sup> (0.82 in <sup>2</sup> ) |

