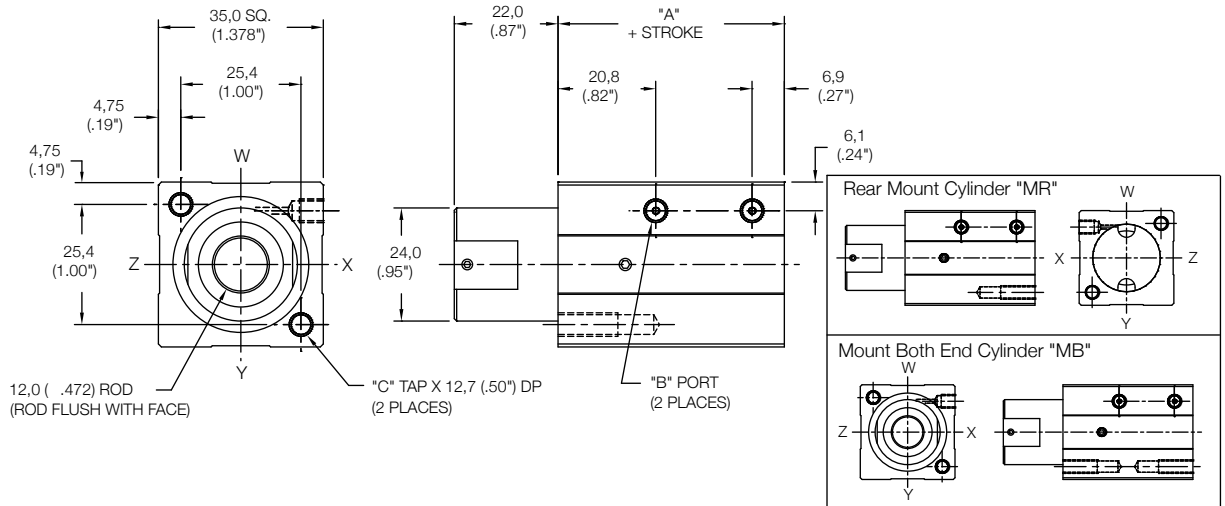


Non Magnetic Front Mount Cylinder "MF"

MODEL	STANDARD STROKES	"A"	PISTON AREA
SC	10mm	38,0 (1.50")	PUSH 4,91 cm ² (0.76 in ²)
	15mm		PULL 3,81 cm ² (0.59 in ²)
	20mm		

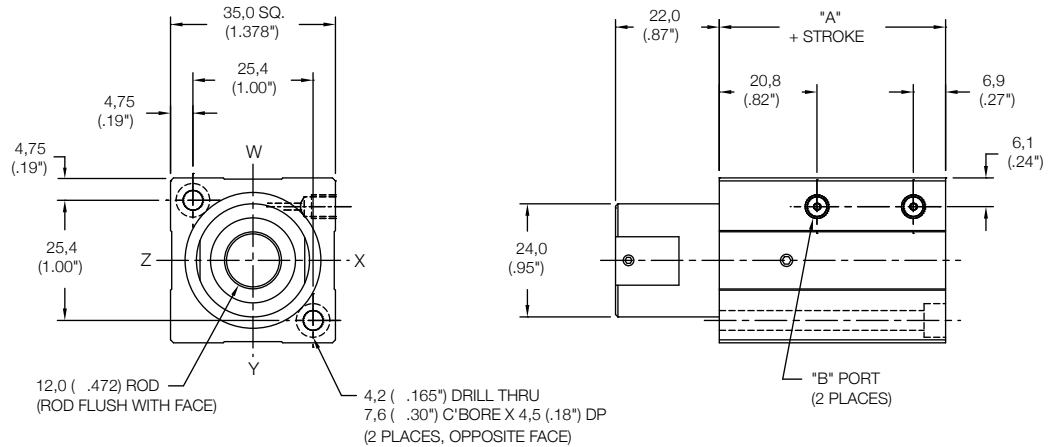
	Standard Threads	"EM" Option
"B"	M5X0,8	#10-32
"C"	M5X0,8	#10-32



Non Magnetic Thru Mount Cylinder "MT"

MODEL	STANDARD STROKES	"A"	PISTON AREA
SC	10mm	38,0 (1.50")	PUSH 4,91 cm ² (.76 in ²)
	15mm		PULL 3,81 cm ² (.59 in ²)
	20mm		

	Standard Threads	"EM" Option
"B"	M5X0,8	#10-32



SC - 25 X -

MODEL BORE STROKE ROD STYLE MOUNTING OPTIONS

10 - 10mm STROKE
 15 - 15mm STROKE
 20 - 20mm STROKE

BLANK (NO CODE) - ROUND ROD (SHOWN)
 F - FLAT ROD (SEE PAGE 92)
 W - FLAT ROD WITH ROLLER (SEE PAGE 92)

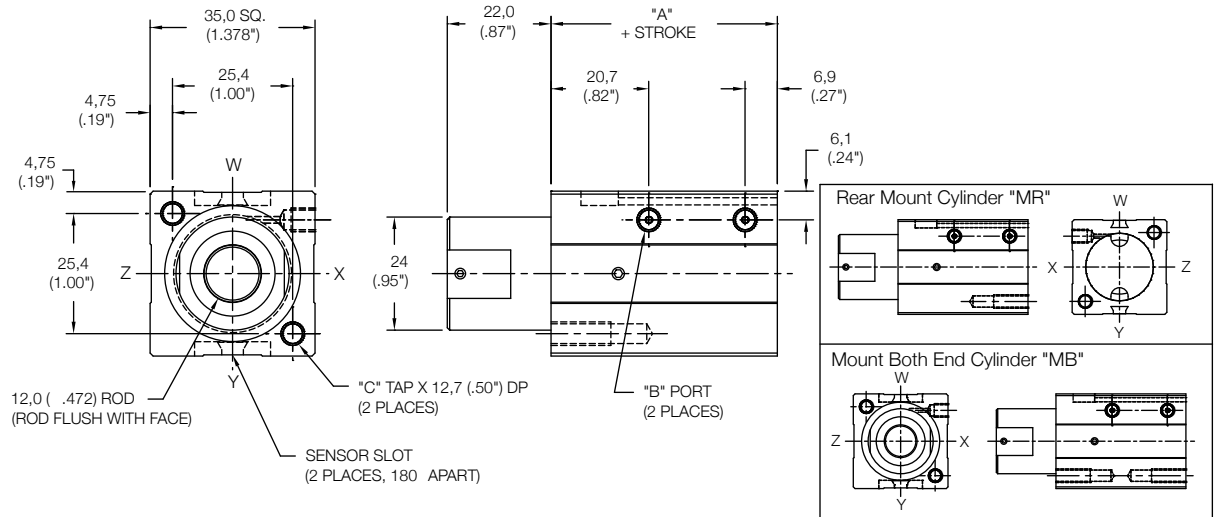
MB - BOTH END MOUNTS
 MF - FRONT MOUNT
 MR - REAR MOUNT
 MT - THRU MOUNT
 FR - FLANGE ON REAR FACE (SEE PAGE 93)

EM - INCH THREADS & PORTS
 HS - HIGH TEMP SEALS (SEE PAGE 62)
 UR - URETHANE SHOCK PAD REAR (SEE PAGE 62)

Magnetic Front Mount Cylinder "MF"

MODEL	STANDARD STROKES	"A"	PISTON AREA
SC	10mm	38,0 (1.50")	PUSH 4,91 cm ² (0.76 in ²) PULL 3,81 cm ² (0.59 in ²)
	15mm		
	20mm		

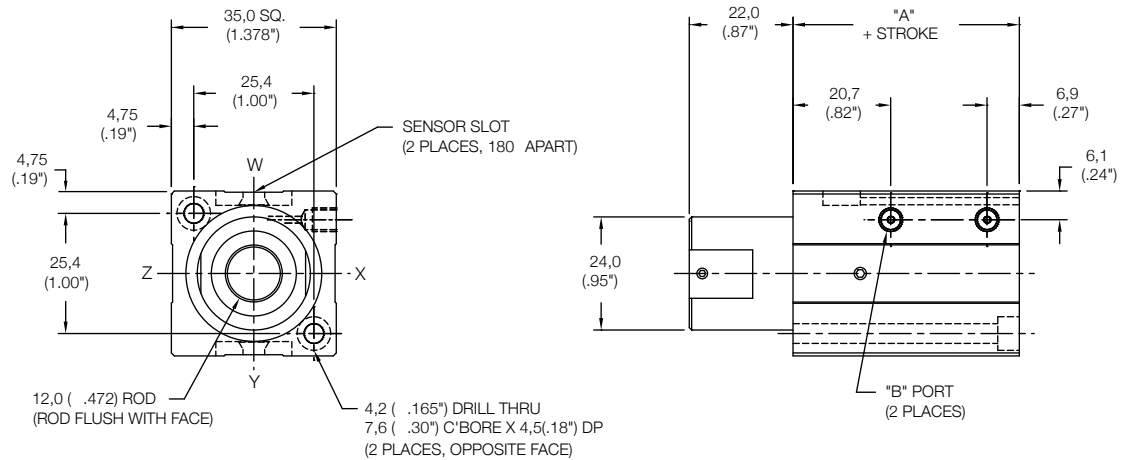
	Standard Threads	"EM" Option
"B"	M5X0,8	#10-32
"C"	M5X0,8	#10-32



Magnetic Thru Mount Cylinder "MT"

MODEL	STANDARD STROKES	"A"	PISTON AREA
SC	10mm	38,0 (1.50")	PUSH 4,91 cm ² (.76 in ²) PULL 3,81 cm ² (.59 in ²)
	15mm		
	20mm		

	Standard Threads	"EM" Option
"B"	M5X0,8	#10-32



SC - 25 X [] [] [] M - [] [] []
 MODEL BORE STROKE ROD STYLE MOUNTING MAGNETIC OPTIONS

10 - 10mm STROKE
 15 - 15mm STROKE
 20 - 20mm STROKE

BLANK (NO CODE) - ROUND ROD (SHOWN)
 F - FLAT ROD (SEE PAGE 92)
 W - FLAT ROD WITH ROLLER (SEE PAGE 92)

EM - INCH THREADS & PORTS
 HS - HIGH TEMP SEALS (SEE PAGE 62)
 UR - URETHANE SHOCK PAD REAR (SEE PAGE 62)

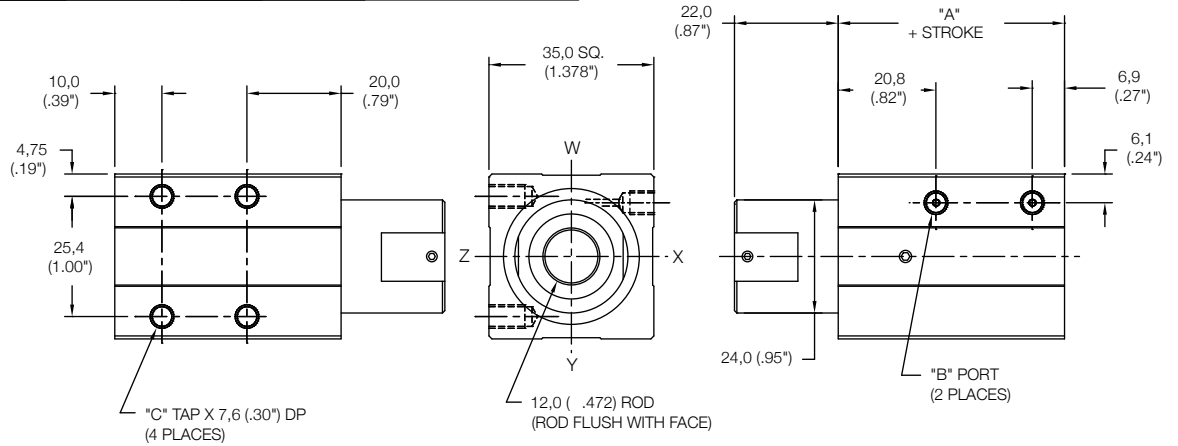
SENSORS SOLD SEPERATELY
 SKS, SKP, SCS, SCP - SOLID STATE
 LIMIT SENSORS
 (SEE PAGE 54 FOR DETAILS)

MB - BOTH END MOUNTS
 MF - FRONT MOUNT
 MR - REAR MOUNT
 MT - THRU MOUNT
 FR - FLANGE ON REAR FACE (SEE PAGE 93)

Non Magnetic Side Mount Cylinder "MS"

MODEL	STANDARD STROKES	"A"	PISTON AREA
SC	10mm	38,0 (1.50")	PUSH 4,91 cm ² (0.76 in ²) PULL 3,81 cm ² (0.59 in ²)
	15mm		
	20mm		

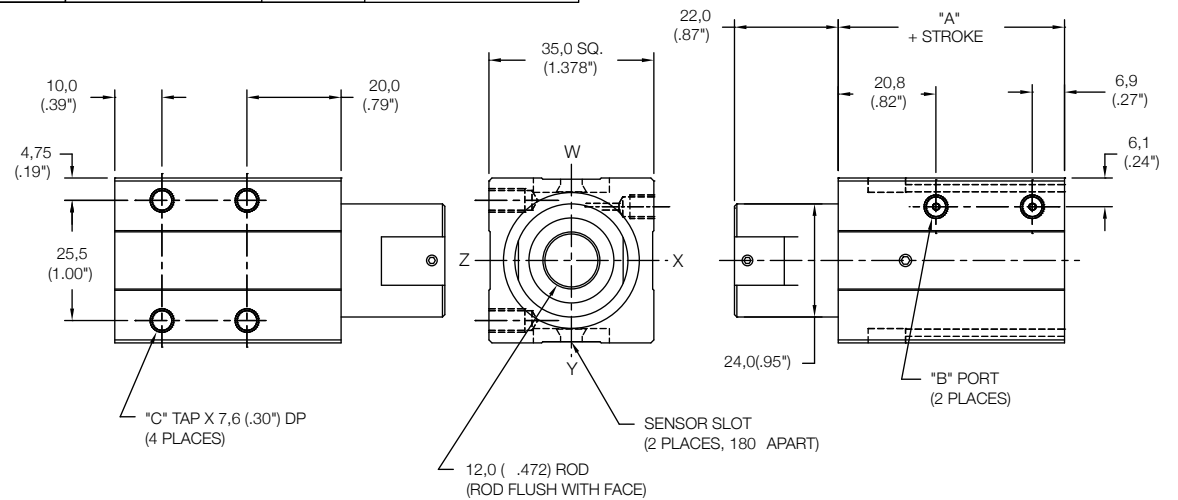
	Standard Threads	"EM" Option
"B"	M5X0,8	#10-32
"C"	M5X0,8	#10-32



Magnetic Side Mount Cylinder "MS"

MODEL	STANDARD STROKES	"A"	PISTON AREA
SC	10mm	38,0 (1.50")	PUSH 4,91 cm ² (0.76 in ²) PULL 3,81 cm ² (0.59 in ²)
	15mm		
	20mm		

	Standard Threads	"EM" Option
"B"	M5X0,8	#10-32
"C"	M5X0,8	#10-32



10 - 10mm STROKE
15 - 15mm STROKE
20 - 20mm STROKE

MS - SIDE THREADS
FS - SIDE FLANGES
(SEE PAGE 93)

EM - INCH THREADS & PORTS
HS - HIGH TEMP SEALS (SEE PAGE 62)
UR - URETHANE SHOCK PAD REAR
(SEE PAGE 62)

BLANK (NO CODE) - ROUND ROD (SHOWN)
F - FLAT ROD (SEE PAGE 92)
W - FLAT ROD WITH ROLLER (SEE PAGE 92)

BLANK (NO CODE) - STANDARD "NO MAGNET" PISTON
M - MAGNETIC PISTON AND SENSOR MOUNTING SLOTS

SENSORS SOLD SEPERATELY
SKS, SKP, SCS, SCP - SOLID STATE
LIMIT SENSORS
(SEE PAGE 54 FOR DETAILS)