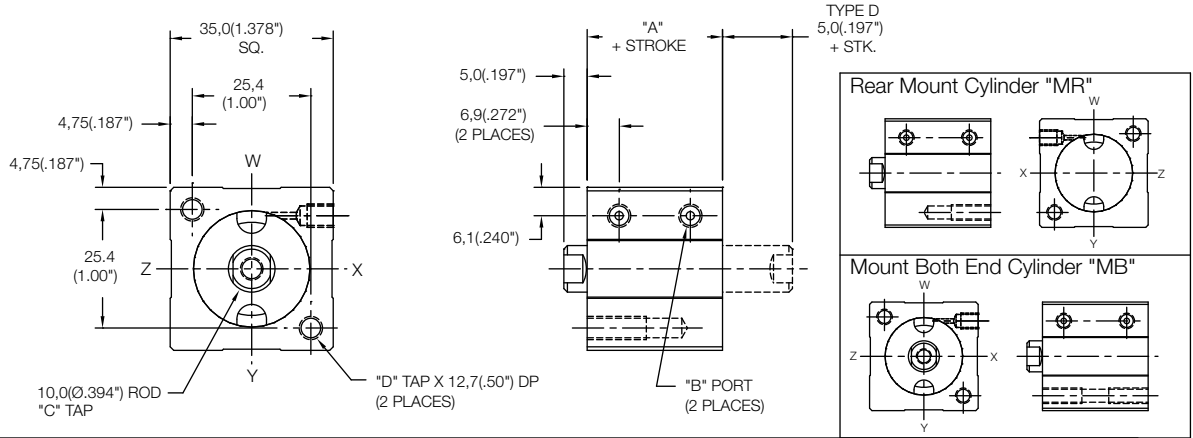


### Non Magnetic Front Mount Cylinder "MF"

MODEL	TYPE	STANDARD STROKES	"A"	PISTON AREA
LS	_,D	10mm - 50mm	19,0(0.75")	PUSH 4,91 cm <sup>2</sup> (0.76 in <sup>2</sup> )
LE	_	5mm - 100mm	24,0(0.95")	
LH	_,D	5mm - 100mm	29,0(1.14")	PULL 4,12 cm <sup>2</sup> (0.64 in <sup>2</sup> )
LS	S,R	5mm - 25mm	34,0(1.34")	

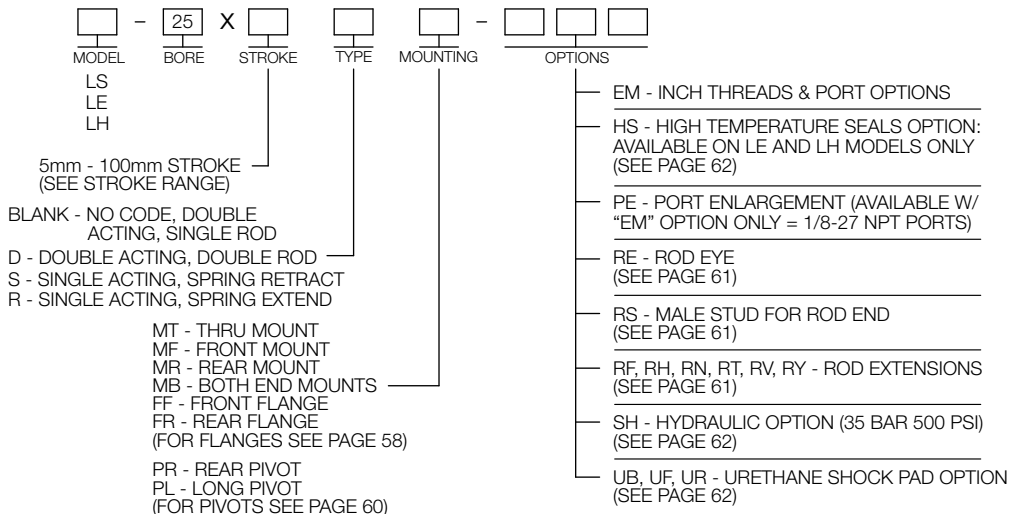
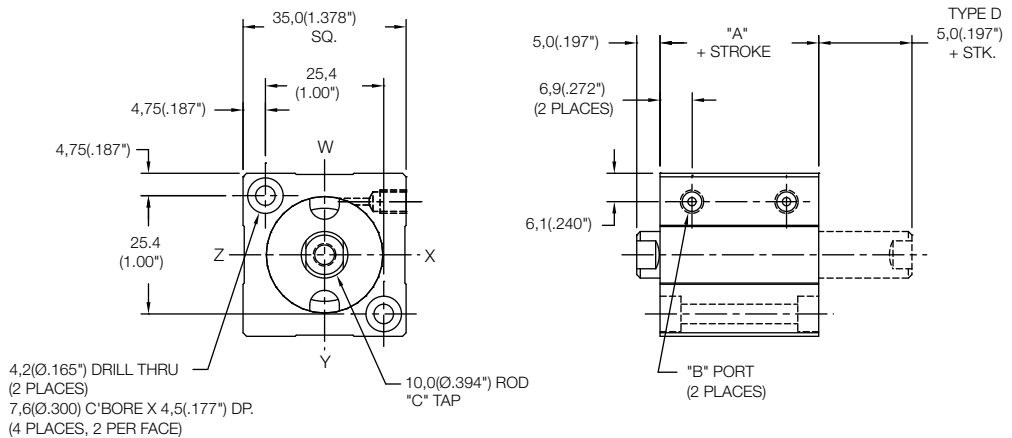
	Standard Threads	"EM" Option
"B"	M5X0,8	#10-32
"C"	M5X0,8	#10-32
"D"	M5X0,8	#10-32



### Non Magnetic Thru Mount Cylinder "MT"

MODEL	TYPE	STANDARD STROKES	"A"	PISTON AREA
LS	_,D	10mm - 25mm	19,0(0.75")	PUSH 4,91 cm <sup>2</sup> (0.76 in <sup>2</sup> )
LE	_	5mm - 20mm	24,0(0.95")	
LH	_,D	5mm - 15mm	29,0(1.14")	PULL 4,12 cm <sup>2</sup> (0.64 in <sup>2</sup> )
LS	S,R	5mm - 10mm	34,0(1.34")	

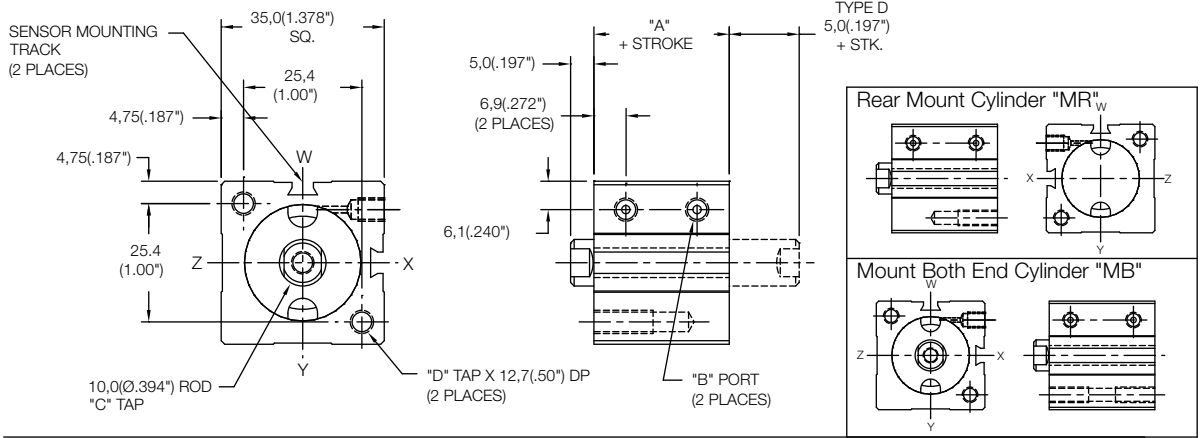
	Standard Threads	"EM" Option
"B"	M5X0,8	#10-32
"C"	M5X0,8	#10-32



### Magnetic Front Mount Cylinder "MF"

MODEL	TYPE	STANDARD STROKES	"A"	PISTON AREA
LS	_,D	10mm - 50mm	24,0(0.95")	PUSH 4,91 cm <sup>2</sup> (0.76 in <sup>2</sup> )
LE	-	5mm - 100mm	29,0(1.14")	
LH	_,D	5mm - 100mm	34,0(1.34")	PULL 4,12 cm <sup>2</sup> (0.64 in <sup>2</sup> )
LS	S,R	5mm - 25mm	39,0(1.54")	

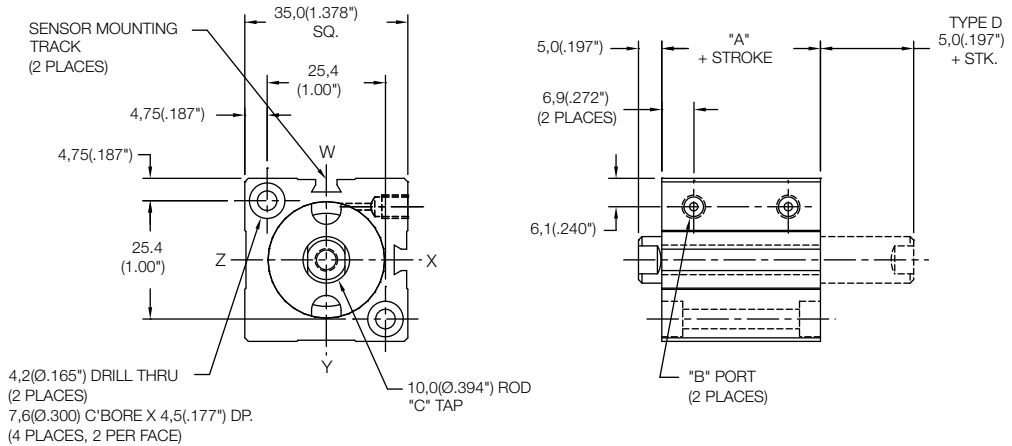
	Standard Threads	"EM" Option
"B"	M5X0,8	#10-32
"C"	M5X0,8	#10-32
"D"	M5X0,8	#10-32



### Magnetic Thru Mount Cylinder "MT"

MODEL	TYPE	STANDARD STROKES	"A"	PISTON AREA
LS	_,D	10mm - 20mm	24,0(0.95")	PUSH 4,91 cm <sup>2</sup> (0.76 in <sup>2</sup> )
LE	-	5mm - 15mm	29,0(1.14")	
LH	_,D	5mm - 10mm	34,0(1.34")	PULL 4,12 cm <sup>2</sup> (0.64 in <sup>2</sup> )
LS	S,R	5mm	39,0(1.54")	

	Standard Threads	"EM" Option
"B"	M5X0,8	#10-32
"C"	M5X0,8	#10-32

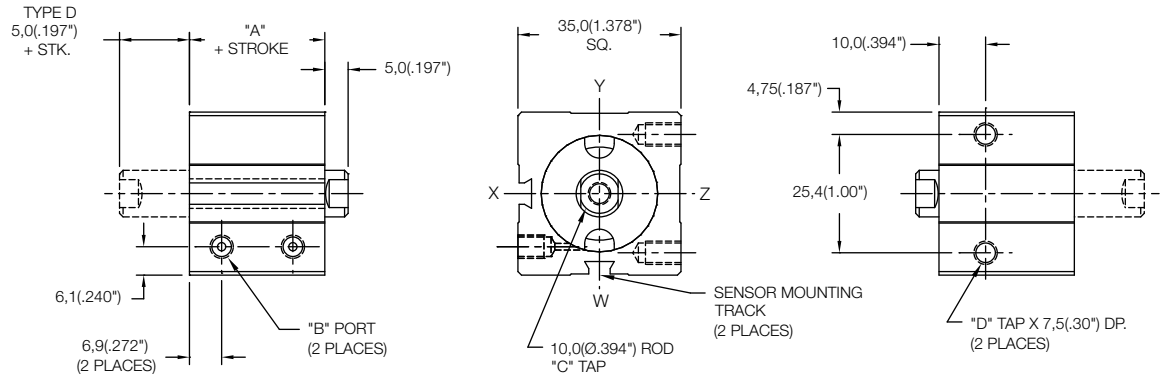


<table border="0"> <tr> <td>MODEL</td> <td>-</td> <td>25</td> <td>X</td> <td>STROKE</td> <td>TYPE</td> <td>MOUNTING</td> <td>MAGNETIC</td> <td>-</td> <td>OPTIONS</td> </tr> <tr> <td>LS LE LH</td> <td></td> <td></td> <td></td> <td>5mm - 100mm STROKE (SEE STROKE RANGE)</td> <td></td> <td></td> <td>M</td> <td></td> <td></td> </tr> </table> <p>BLANK - NO CODE, DOUBLE ACTING, SINGLE ROD</p> <p>D - DOUBLE ACTING, DOUBLE ROD</p> <p>S - SINGLE ACTING, SPRING RETRACT</p> <p>R - SINGLE ACTING, SPRING EXTEND</p> <p>MT - THRU MOUNT</p> <p>MF - FRONT MOUNT</p> <p>MR - REAR MOUNT</p> <p>MB - BOTH END MOUNTS</p> <p>FF - FRONT FLANGE</p> <p>FR - REAR FLANGE (FOR FLANGES SEE PAGE 58)</p> <p>PR - REAR PIVOT</p> <p>PL - LONG PIVOT (FOR PIVOTS SEE PAGE 60)</p>	MODEL	-	25	X	STROKE	TYPE	MOUNTING	MAGNETIC	-	OPTIONS	LS LE LH				5mm - 100mm STROKE (SEE STROKE RANGE)			M			<table border="0"> <tr> <td colspan="2">SENSORS SOLD SEPARATELY SKS, SKP, SCS, SCP - SOLID STATE LIMIT SENSORS (SEE PAGE 54)</td> </tr> <tr> <td>EM - INCH THREADS &amp; PORT OPTIONS</td> <td></td> </tr> <tr> <td>HS - HIGH TEMPERATURE SEALS OPTION: AVAILABLE ON LE AND LH MODELS ONLY (SEE PAGE 62)</td> <td></td> </tr> <tr> <td>PE - PORT ENLARGEMENT (AVAILABLE W/ "EM" OPTION ONLY = 1/8-27 NPT PORTS)</td> <td></td> </tr> <tr> <td>RE - ROD EYE (SEE PAGE 61)</td> <td></td> </tr> <tr> <td>RS - MALE STUD FOR ROD END (SEE PAGE 61)</td> <td></td> </tr> <tr> <td>RF, RH, RN, RT, RV, RY - ROD EXTENSIONS (SEE PAGE 61)</td> <td></td> </tr> <tr> <td>SH - HYDRAULIC OPTION (35 BAR 500 PSI) (SEE PAGE 62)</td> <td></td> </tr> <tr> <td>UB, UF, UR - URETHANE SHOCK PAD OPTION (SEE PAGE 62)</td> <td></td> </tr> </table>	SENSORS SOLD SEPARATELY SKS, SKP, SCS, SCP - SOLID STATE LIMIT SENSORS (SEE PAGE 54)		EM - INCH THREADS & PORT OPTIONS		HS - HIGH TEMPERATURE SEALS OPTION: AVAILABLE ON LE AND LH MODELS ONLY (SEE PAGE 62)		PE - PORT ENLARGEMENT (AVAILABLE W/ "EM" OPTION ONLY = 1/8-27 NPT PORTS)		RE - ROD EYE (SEE PAGE 61)		RS - MALE STUD FOR ROD END (SEE PAGE 61)		RF, RH, RN, RT, RV, RY - ROD EXTENSIONS (SEE PAGE 61)		SH - HYDRAULIC OPTION (35 BAR 500 PSI) (SEE PAGE 62)		UB, UF, UR - URETHANE SHOCK PAD OPTION (SEE PAGE 62)	
MODEL	-	25	X	STROKE	TYPE	MOUNTING	MAGNETIC	-	OPTIONS																														
LS LE LH				5mm - 100mm STROKE (SEE STROKE RANGE)			M																																
SENSORS SOLD SEPARATELY SKS, SKP, SCS, SCP - SOLID STATE LIMIT SENSORS (SEE PAGE 54)																																							
EM - INCH THREADS & PORT OPTIONS																																							
HS - HIGH TEMPERATURE SEALS OPTION: AVAILABLE ON LE AND LH MODELS ONLY (SEE PAGE 62)																																							
PE - PORT ENLARGEMENT (AVAILABLE W/ "EM" OPTION ONLY = 1/8-27 NPT PORTS)																																							
RE - ROD EYE (SEE PAGE 61)																																							
RS - MALE STUD FOR ROD END (SEE PAGE 61)																																							
RF, RH, RN, RT, RV, RY - ROD EXTENSIONS (SEE PAGE 61)																																							
SH - HYDRAULIC OPTION (35 BAR 500 PSI) (SEE PAGE 62)																																							
UB, UF, UR - URETHANE SHOCK PAD OPTION (SEE PAGE 62)																																							

### Magnetic Side Mount Cylinder "MS"

MODEL	TYPE	STANDARD STROKES	"A"	PISTON AREA
LS	...D	10mm - 15mm	24,0(0.95")	PUSH 4,91 cm <sup>2</sup> (0.76 in <sup>2</sup> )
LE	-	5mm - 10mm	29,0(1.14")	PULL 4,12 cm <sup>2</sup> (0.64 in <sup>2</sup> )
LH	...D	5mm	34,0(1.34")	

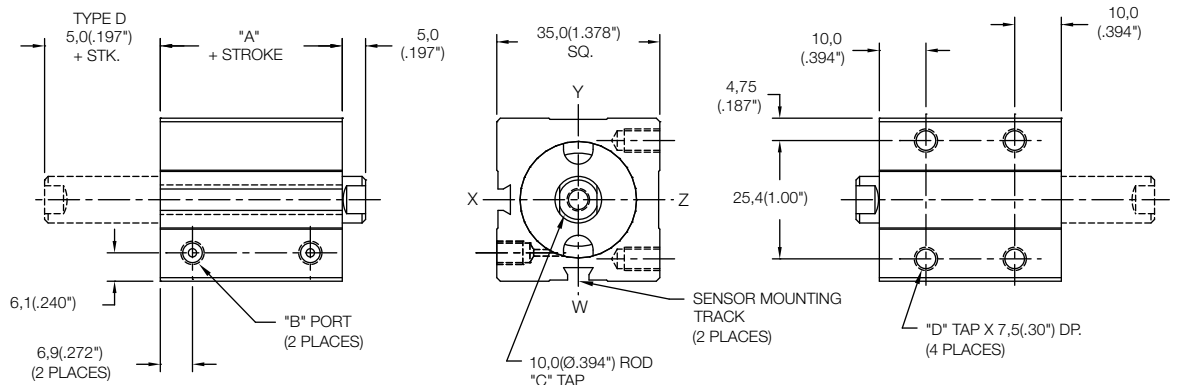
	Standard Threads	"EM" Option
"B"	M5X0,8	#10-32
"C"	M5X0,8	#10-32
"D"	M5X0,8	#10-32



### Magnetic Side Mount Cylinder "MS"

MODEL	TYPE	STANDARD STROKES	"A"	PISTON AREA
LS	...D	20mm - 50mm	24,0(0.95")	PUSH 4,91 cm <sup>2</sup> (0.76 in <sup>2</sup> )
LE	-	15mm - 100mm	29,0(1.14")	PULL 4,12 cm <sup>2</sup> (0.64 in <sup>2</sup> )
LH	...D	10mm - 100mm	34,0(1.34")	
LS	S,R	5mm - 25mm	39,0(1.54")	

	Standard Threads	"EM" Option
"B"	M5X0,8	#10-32
"C"	M5X0,8	#10-32
"D"	M5X0,8	#10-32

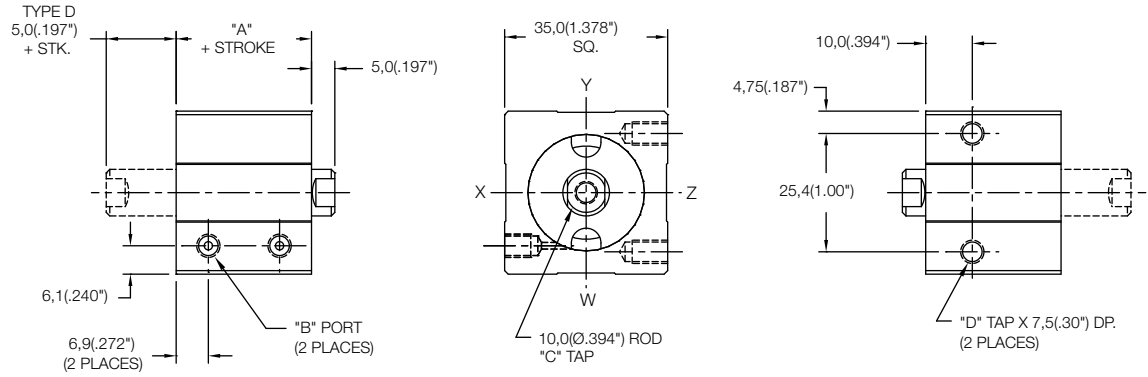


<p>MODEL - 25 X STROKE TYPE MOUNTING MAGNETIC OPTIONS</p> <p>LS LE LH</p> <p>5mm - 100mm STROKE (SEE STROKE RANGE)</p> <p>BLANK - NO CODE, DOUBLE ACTING, SINGLE ROD</p> <p>D - DOUBLE ACTING, DOUBLE ROD S - SINGLE ACTING, SPRING RETRACT R - SINGLE ACTING, SPRING EXTEND</p> <p>MS - SIDE MOUNT FE - FLANGE ON END FS - FLANGE ON SIDE (SEE PAGE 59)</p>	<p>SENSORS SOLD SEPARATELY SKS, SKP, SCS, SCP - SOLID STATE LIMIT SENSORS (SEE PAGE 54)</p> <p>EM - INCH THREADS &amp; PORT OPTIONS</p> <p>HS - HIGH TEMPERATURE SEALS OPTION: AVAILABLE ON LE AND LH MODELS ONLY (SEE PAGE 62)</p> <p>PE - PORT ENLARGEMENT (AVAILABLE W/ "EM" OPTION ONLY = 1/8-27 NPT PORTS)</p> <p>RE - ROD EYE (SEE PAGE 61)</p> <p>RS - MALE STUD FOR ROD END (SEE PAGE 61)</p> <p>RF, RH, RN, RT, RV, RY - ROD EXTENSIONS (SEE PAGE 61)</p> <p>SH - HYDRAULIC OPTION (35 BAR 500 PSI) (SEE PAGE 62)</p> <p>UB, UF, UR - URETHANE SHOCK PAD OPTION (SEE PAGE 62)</p>
--	--

### Non Magnetic Side Mount Cylinder "MS"

MODEL	TYPE	STANDARD STROKES	"A"	PISTON AREA
LS	..D	10mm - 20mm	19,0(0.75")	PUSH 4,91 cm <sup>2</sup> (0.76 in <sup>2</sup> )
LE	-	5mm - 15mm	24,0(0.95")	
LH	..D	5mm - 10mm	29,0(1.14")	PULL 4,12 cm <sup>2</sup> (0.64 in <sup>2</sup> )
LS	S,R	5mm	34,0(1.34")	

	Standard Threads	"EM" Option
"B"	M5X0,8	#10-32
"C"	M5X0,8	#10-32
"D"	M5X0,8	#10-32



### Non Magnetic Side Mount Cylinder "MS"

MODEL	TYPE	STANDARD STROKES	"A"	PISTON AREA
LS	..D	25mm - 50mm	19,0(0.75")	PUSH 4,91 cm <sup>2</sup> (0.76 in <sup>2</sup> )
LE	-	20mm - 100mm	24,0(0.95")	
LH	..D	15mm - 100mm	29,0(1.14")	PULL 4,12 cm <sup>2</sup> (0.64 in <sup>2</sup> )
LS	S,R	10mm - 25mm	34,0(1.34")	

	Standard Threads	"EM" Option
"B"	M5X0,8	#10-32
"C"	M5X0,8	#10-32
"D"	M5X0,8	#10-32

