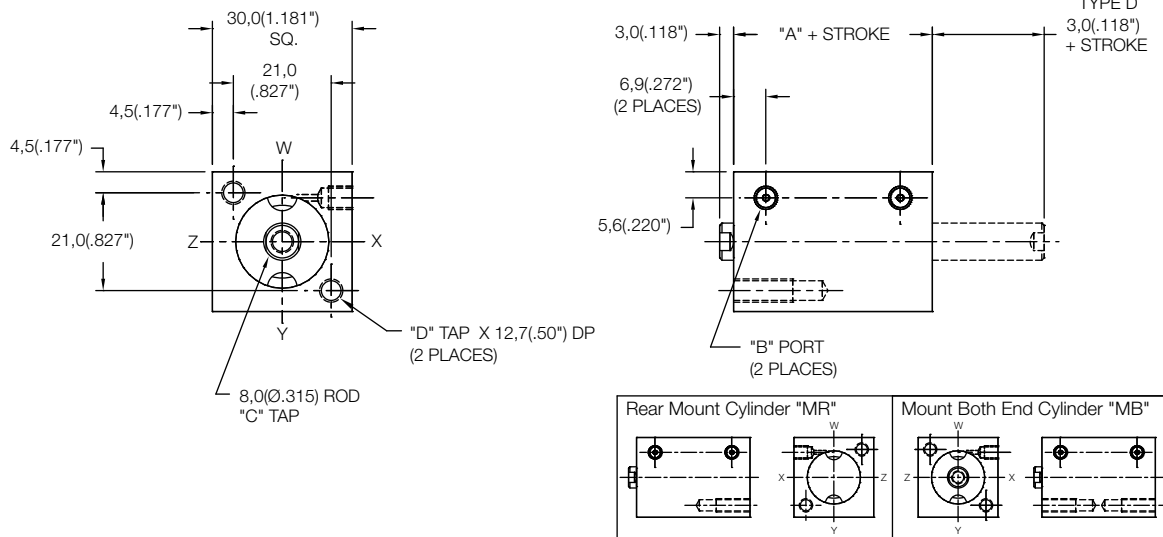


Non Magnetic Front Mount Cylinder "MF"

MODEL	TYPE	STANDARD STROKES	"A"	PISTON AREA
LS	..D	10mm - 50mm	18,5(0.73")	PUSH 3,14 cm ² (0.48 in ²)
LE	-	5mm - 100mm	23,5(0.93")	
LH	..D	5mm - 100mm	28,5(1.12")	
LS	S,R	5mm - 25mm	33,5(1.32")	PULL 2,64 cm ² (0.40 in ²)

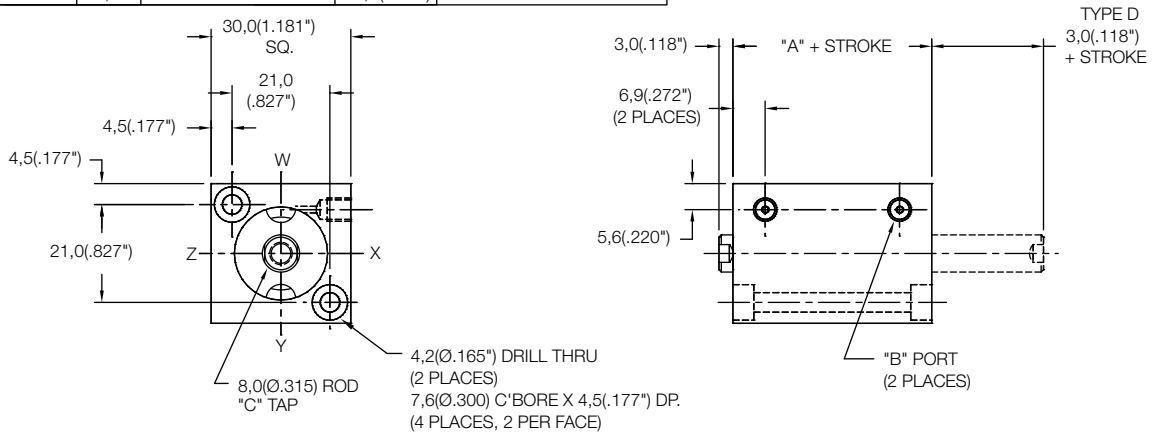
	Standard Threads	"EM" Option
"B"	M5X0,8	#10-32
"C"	M5X0,8	#10-32
"D"	M5X0,8	#10-32



Non Magnetic Thru Mount Cylinder "MT"

MODEL	TYPE	STANDARD STROKES	"A"	PISTON AREA
LS	..D	10mm - 25mm	18,5(0.73")	PUSH 3,14 cm ² (0.48 in ²)
LE	-	5mm - 20mm	23,5(0.93")	
LH	..D	5mm - 15mm	28,5(1.12")	
LS	S,R	5mm - 10mm	33,5(1.32")	PULL 2,64 cm ² (0.40 in ²)

	Standard Threads	"EM" Option
"B"	M5X0,8	#10-32
"C"	M5X0,8	#10-32



 - 20 X -

MODEL BORE STROKE TYPE MOUNTING OPTIONS

LS
LE
LH

5mm - 100mm STROKE
(SEE STROKE RANGE)

BLANK - NO CODE, DOUBLE ACTING, SINGLE ROD
 D - DOUBLE ACTING, DOUBLE ROD
 S - SINGLE ACTING, SPRING RETRACT
 R - SINGLE ACTING, SPRING EXTEND

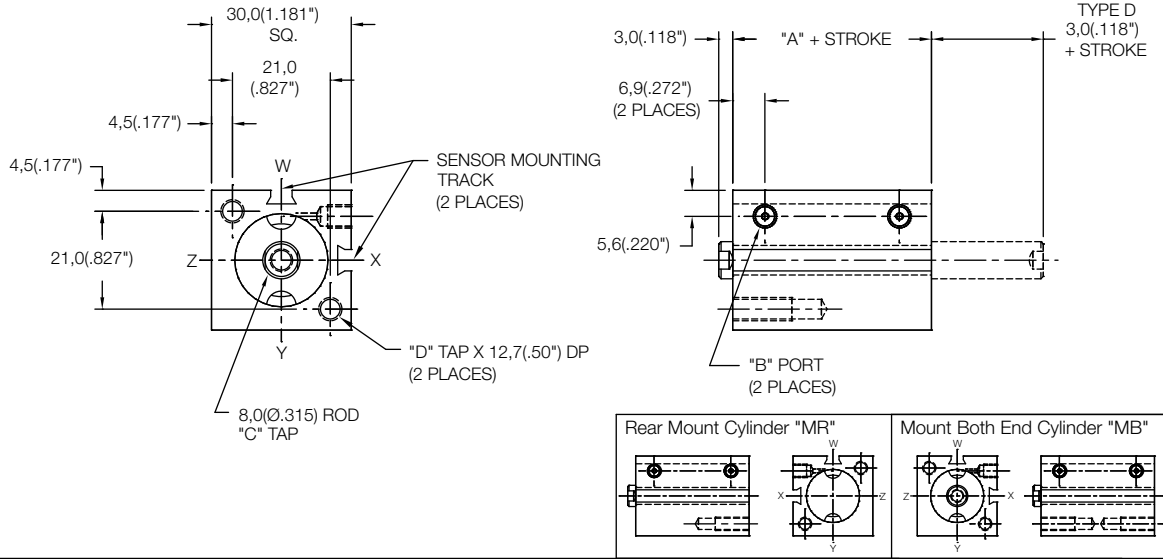
MT - THRU MOUNT
 MF - FRONT MOUNT
 MR - REAR MOUNT
 MB - BOTH END MOUNTS
 FF - FRONT FLANGE
 FR - REAR FLANGE
 (FOR FLANGES SEE PAGE 58)
 PR - REAR PIVOT
 PL - LONG PIVOT
 (FOR PIVOTS SEE PAGE 60)

EM - INCH THREADS & PORT OPTIONS
 HS - HIGH TEMPERATURE SEALS OPTION:
 AVAILABLE ON LE AND LH MODELS ONLY
 (SEE PAGE 62)
 RE - ROD EYE
 (SEE PAGE 61)
 RS - MALE STUD FOR ROD END
 (SEE PAGE 61)
 RF, RH, RN, RT, RV, RY - ROD EXTENSIONS
 (SEE PAGE 61)
 SH - HYDRAULIC OPTION (35 BAR 500 PSI)
 (SEE PAGE 62)
 UB, UF, UR - URETHANE SHOCK PAD OPTION
 (SEE PAGE 62)

Magnetic Front Mount Cylinder "MF"

MODEL	TYPE	STANDARD STROKES	"A"	PISTON AREA
LS	_,D	10mm - 50mm	23,5(0.93")	PUSH 3,14 cm ² (0.48 in ²)
LE	_	5mm - 100mm	28,5(1.12")	
LH	_,D	5mm - 100mm	33,5(1.32")	PULL 2,64 cm ² (0.40 in ²)
LS	S,R	5mm - 25mm	38,5(1.52")	

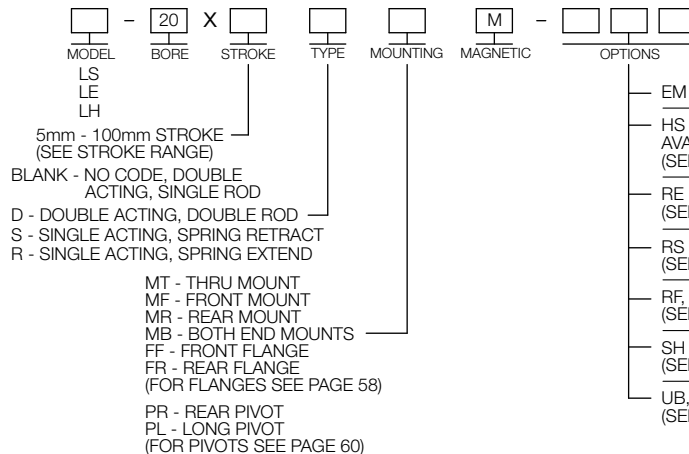
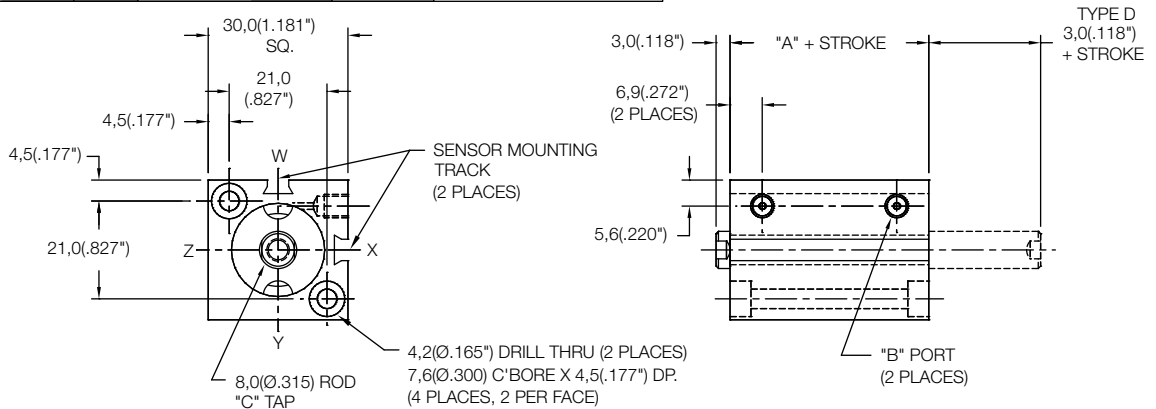
	Standard Threads	"EM" Option
"B"	M5X0,8	#10-32
"C"	M5X0,8	#10-32
"D"	M5X0,8	#10-32



Magnetic Thru Mount Cylinder "MT"

MODEL	TYPE	STANDARD STROKES	"A"	PISTON AREA
LS	_,D	10mm - 20mm	23,5(0.93")	PUSH 3,14 cm ² (0.48 in ²)
LE	_	5mm - 15mm	28,5(1.12")	
LH	_,D	5mm - 10mm	33,5(1.32")	PULL 2,64 cm ² (0.40 in ²)
LS	S,R	5mm	38,5(1.52")	

	Standard Threads	"EM" Option
"B"	M5X0,8	#10-32
"C"	M5X0,8	#10-32

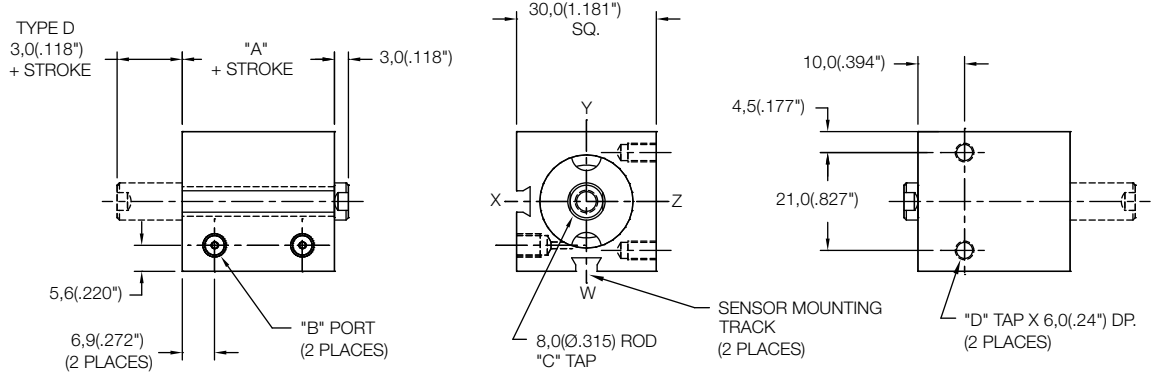


SENSORS SOLD SEPARATELY
 SKS, SKP, SCS, SCP - SOLID STATE
 LIMIT SENSORS (SEE PAGE 54)

Magnetic Side Mount Cylinder "MS"

MODEL	TYPE	STANDARD STROKES	"A"	PISTON AREA
LS	_,D	10mm - 15mm	23,5(0.93")	PUSH 3,14 cm ² (0.48 in ²)
LE	-	5mm - 10mm	28,5(1.12")	PULL 2,64 cm ² (0.40 in ²)
LH	_,D	5mm	33,5(1.32")	

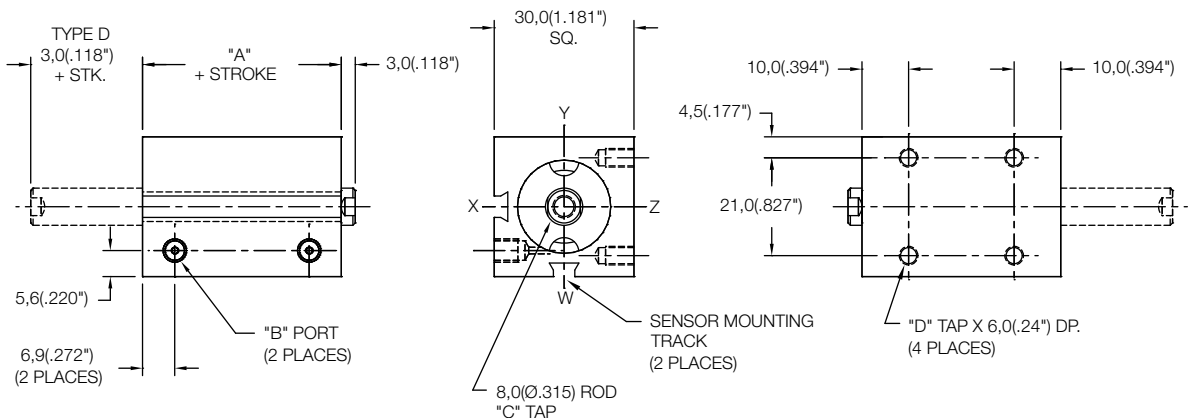
	Standard Threads	"EM" Option
"B"	M5X0,8	#10-32
"C"	M5X0,8	#10-32
"D"	M4X0,7	#8-32



Magnetic Side Mount Cylinder "MS"

MODEL	TYPE	STANDARD STROKES	"A"	PISTON AREA
LS	_,D	20mm - 50mm	23,5(0.93")	PUSH 3,14 cm ² (0.48 in ²)
LE	-	15mm - 100mm	28,5(1.12")	PULL 2,64 cm ² (0.40 in ²)
LH	_,D	10mm - 100mm	33,5(1.32")	
LS	S,R	5mm - 25mm	38,5(1.52")	

	Standard Threads	"EM" Option
"B"	M5X0,8	#10-32
"C"	M5X0,8	#10-32
"D"	M4X0,7	#8-32

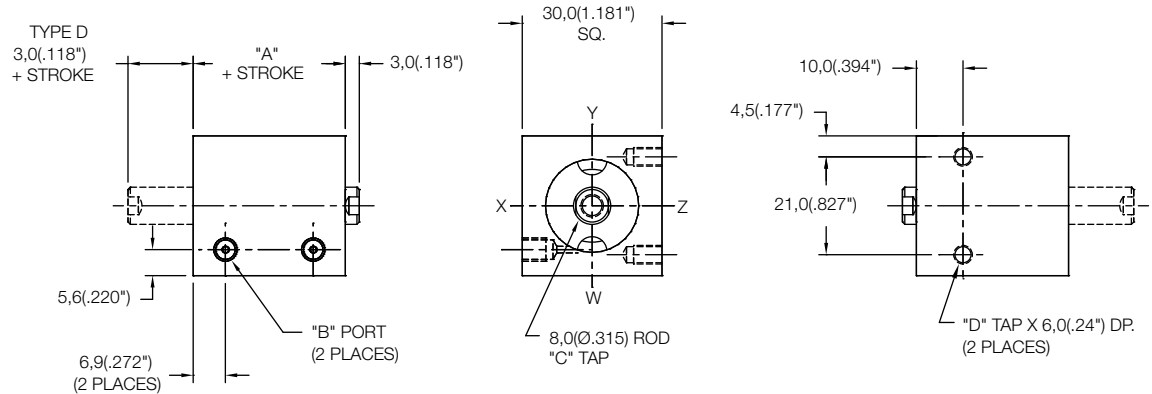


<p>MODEL - BORE X STROKE TYPE MOUNTING MAGNETIC OPTIONS</p> <p>LS LE LH</p> <p>5mm - 100mm STROKE (SEE STROKE RANGE)</p> <p>BLANK - NO CODE, DOUBLE ACTING, SINGLE ROD</p> <p>D - DOUBLE ACTING, DOUBLE ROD</p> <p>S - SINGLE ACTING, SPRING RETRACT</p> <p>R - SINGLE ACTING, SPRING EXTEND</p> <p>MS - SIDE MOUNT</p> <p>FE - FLANGE ON END</p> <p>FS - FLANGE ON SIDE (SEE PAGE 59)</p>	<p>SENSORS SOLD SEPARATELY</p> <p>SKS, SKP, SCS, SCP - SOLID STATE LIMIT SENSORS (SEE PAGE 54)</p> <p>EM - INCH THREADS & PORT OPTIONS</p> <p>HS - HIGH TEMPERATURE SEALS OPTION: AVAILABLE ON LE AND LH MODELS ONLY (SEE PAGE 62)</p> <p>RE - ROD EYE (SEE PAGE 61)</p> <p>RS - MALE STUD FOR ROD END (SEE PAGE 61)</p> <p>RF, RH, RN, RT, RV, RY - ROD EXTENSIONS (SEE PAGE 61)</p> <p>SH - HYDRAULIC OPTION (35 BAR 500 PSI) (SEE PAGE 62)</p> <p>UB, UF, UR - URETHANE SHOCK PAD OPTION (SEE PAGE 62)</p>
--	---

Non Magnetic Side Mount Cylinder "MS"

MODEL	TYPE	STANDARD STROKES	"A"	PISTON AREA
LS	_,D	10mm - 20mm	18,5(0.73")	PUSH 3,14 cm ² (0.48 in ²)
LE	_	5mm - 15mm	23,5(0.93")	
LH	_,D	5mm - 10mm	28,5(1.12")	
LS	S,R	5mm	33,5(1.32")	PULL 2,64 cm ² (0.40 in ²)

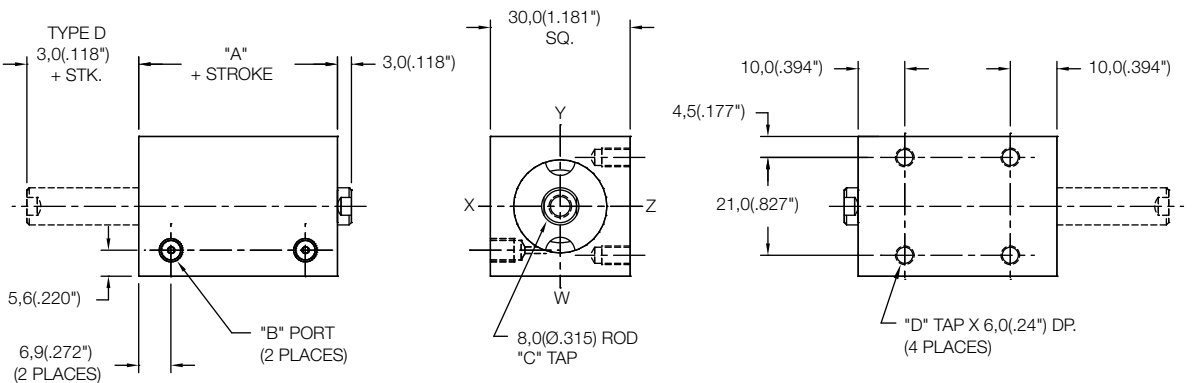
	Standard Threads	"EM" Option
"B"	M5X0,8	#10-32
"C"	M5X0,8	#10-32
"D"	M4X0,7	#8-32



Non Magnetic Side Mount Cylinder "MS"

MODEL	TYPE	STANDARD STROKES	"A"	PISTON AREA
LS	_,D	25mm - 50mm	18,5(0.73")	PUSH 3,14 cm ² (0.48 in ²)
LE	_	20mm - 100mm	23,5(0.93")	
LH	_,D	15mm - 100mm	28,5(1.12")	
LS	S,R	10mm - 25mm	33,5(1.32")	PULL 2,64 cm ² (0.40 in ²)

	Standard Threads	"EM" Option
"B"	M5X0,8	#10-32
"C"	M5X0,8	#10-32
"D"	M4X0,7	#8-32



MODEL - BORE (20) X STROKE - TYPE - MOUNTING - OPTIONS

LS
 LE
 LH

5mm - 100mm STROKE (SEE STROKE RANGE)

BLANK - NO CODE, DOUBLE ACTING, SINGLE ROD
 D - DOUBLE ACTING, DOUBLE ROD
 S - SINGLE ACTING, SPRING RETRACT
 R - SINGLE ACTING, SPRING EXTEND

MS - SIDE MOUNT
 FE - FLANGE ON END
 FS - FLANGE ON SIDE (SEE PAGE 59)

EM - INCH THREADS & PORT OPTIONS
 HS - HIGH TEMPERATURE SEALS OPTION: AVAILABLE ON LE AND LH MODELS ONLY (SEE PAGE 62)
 RE - ROD EYE (SEE PAGE 61)
 RS - MALE STUD FOR ROD END (SEE PAGE 61)
 RF, RH, RN, RT, RV, RY - ROD EXTENSIONS (SEE PAGE 61)
 SH - HYDRAULIC OPTION (35 BAR 500 PSI) (SEE PAGE 62)
 UB, UF, UR - URETHANE SHOCK PAD OPTION (SEE PAGE 62)