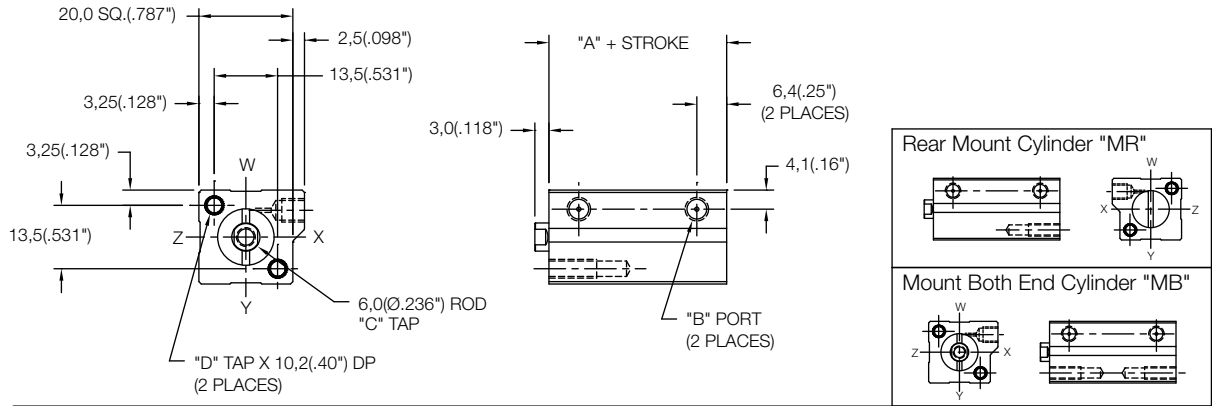


### Non Magnetic Front Mount Cylinder "MF"

MODEL	TYPE	STANDARD STROKES	"A"	PISTON AREA
LS	-	10mm - 50mm	16,0(0.63")	PUSH 1,13 cm <sup>2</sup> (0.18 in <sup>2</sup> )
LE	-	5mm - 50mm	21,0(0.83")	
LH	-	5mm - 50mm	26,0(1.03")	PULL 0,85 cm <sup>2</sup> (0.14 in <sup>2</sup> )
LS	S,R	5mm - 25mm	31,0(1.22")	

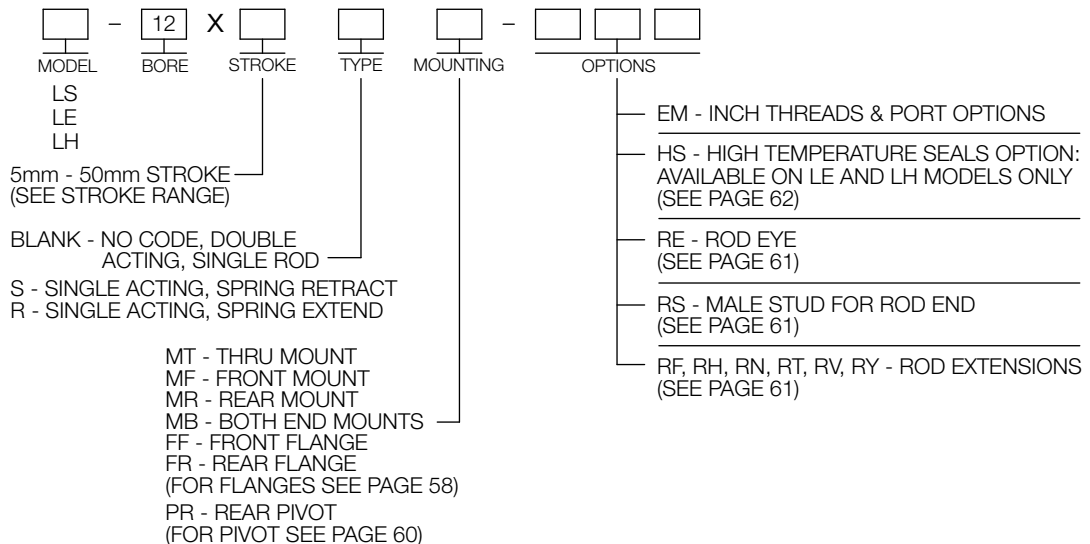
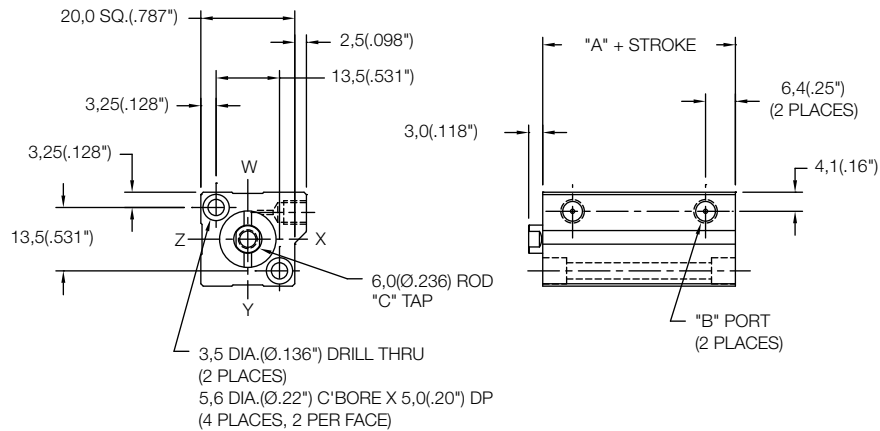
	Standard Threads	"EM" Option
"B"	M5X0,8	#10-32
"C"	M4X0,7	#8-32
"D"	M4X0,7	#8-32



### Non Magnetic Thru Mount Cylinder "MT"

MODEL	TYPE	STANDARD STROKES	"A"	PISTON AREA
LS	-	10mm - 20mm	16,0(0.63")	PUSH 1,13 cm <sup>2</sup> (0.18 in <sup>2</sup> )
LE	-	5mm - 15mm	21,0(0.83")	
LH	-	5mm - 10mm	26,0(1.03")	PULL 0,85 cm <sup>2</sup> (0.14 in <sup>2</sup> )
LS	S,R	5mm	31,0(1.22")	

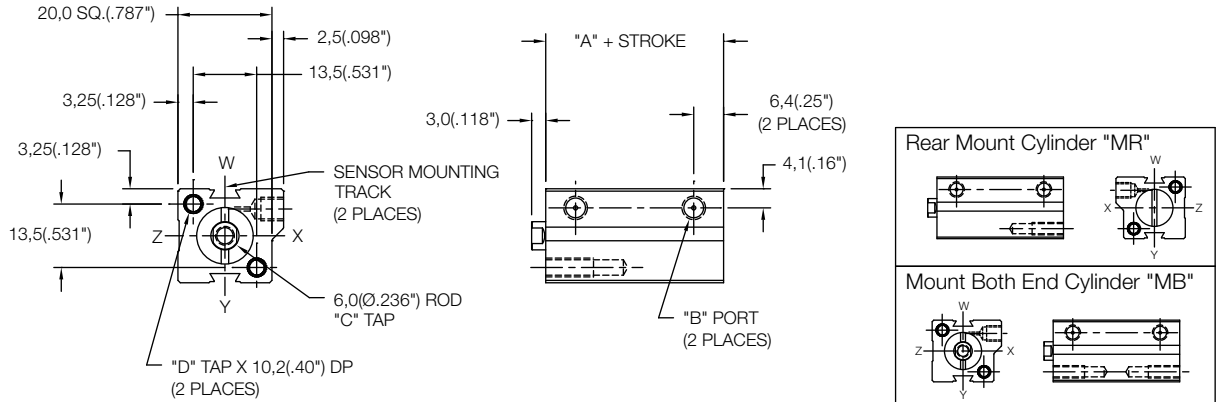
	Standard Threads	"EM" Option
"B"	M5X0,8	#10-32
"C"	M4X0,7	#8-32



### Magnetic Front Mount Cylinder "MF"

MODEL	TYPE	STANDARD STROKES	"A"	PISTON AREA
LS	-	10mm - 50mm	26,0(1.03")	PUSH 1,13 cm <sup>2</sup> (0.18 in <sup>2</sup> )
LE	-	5mm - 50mm	31,0(1.23")	
LH	-	5mm - 50mm	36,0(1.42")	PULL 0,85 cm <sup>2</sup> (0.14 in <sup>2</sup> )
LS	S,R	5mm - 25mm	41,0(1.62")	

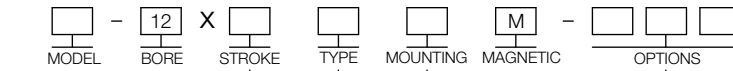
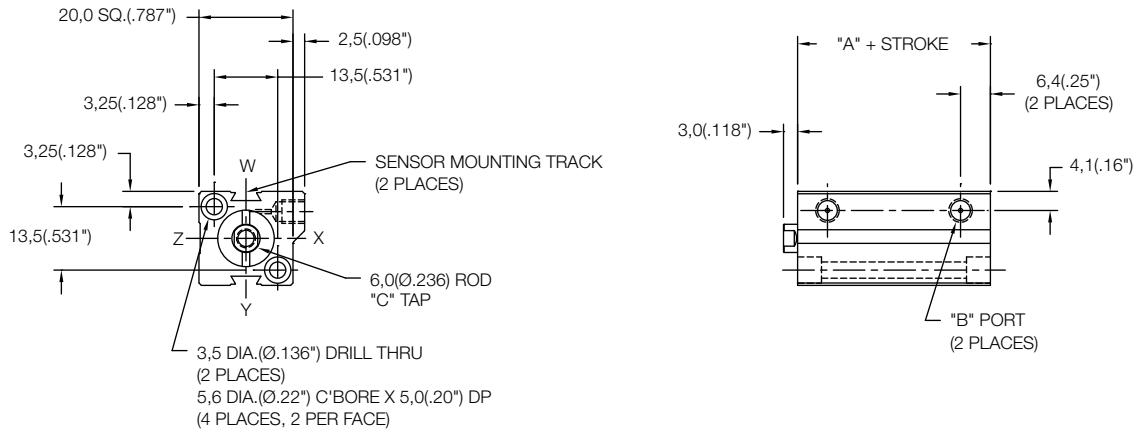
	Standard Threads	"EM" Option
"B"	M5X0,8	#10-32
"C"	M4X0,7	#8-32
"D"	M4X0,7	#8-32



### Magnetic Thru Mount Cylinder "MT"

MODEL	TYPE	STANDARD STROKES	"A"	PISTON AREA
LS	-	10mm	26,0(1.03")	PUSH 1,13 cm <sup>2</sup> (0.18 in <sup>2</sup> )
LE	-	5mm	31,0(1.23")	

	Standard Threads	"EM" Option
"B"	M5X0,8	#10-32
"C"	M4X0,7	#8-32



- MODEL: LS, LE, LH
- BORE: 12
- STROKE: 5mm - 50mm (SEE STROKE RANGE)
- TYPE: BLANK - NO CODE, DOUBLE ACTING, SINGLE ROD; S - SINGLE ACTING, SPRING RETRACT; R - SINGLE ACTING, SPRING EXTEND
- MOUNTING: MT - THRU MOUNT; MF - FRONT MOUNT; MR - REAR MOUNT; MB - BOTH END MOUNTS; FF - FRONT FLANGE; FR - REAR FLANGE (FOR FLANGES SEE PAGE 58); PR - REAR PIVOT (FOR PIVOT SEE PAGE 60)
- MAGNETIC: M

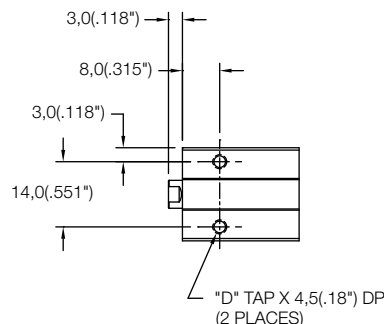
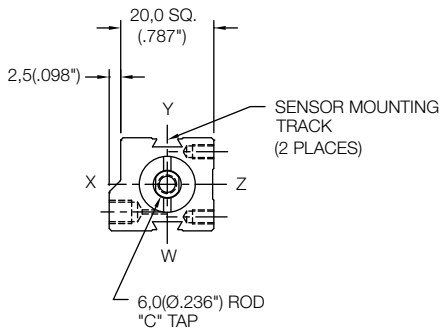
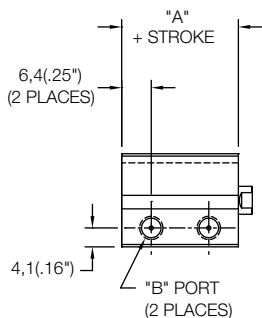
SENSORS SOLD SEPARATELY  
SKS, SKP, SCS, SCP - SOLID STATE  
LIMIT SENSORS (SEE PAGE 54)

- EM - INCH THREADS & PORT OPTIONS
- HS - HIGH TEMPERATURE SEALS OPTION: AVAILABLE ON LE AND LH MODELS ONLY (SEE PAGE 62)
- RE - ROD EYE (SEE PAGE 61)
- RS - MALE STUD FOR ROD END (SEE PAGE 61)
- RF, RH, RN, RT, RV, RY - ROD EXTENSIONS (SEE PAGE 61)

### Magnetic Side Mount Cylinder "MS"

MODEL	TYPE	STANDARD STROKES	"A"	PISTON AREA
LS	-	10mm	26,0(1.03")	PUSH 1,13 cm <sup>2</sup> (0.18 in <sup>2</sup> )
LE	-	5mm	31,0(1.23")	PULL 0,85 cm <sup>2</sup> (0.14 in <sup>2</sup> )

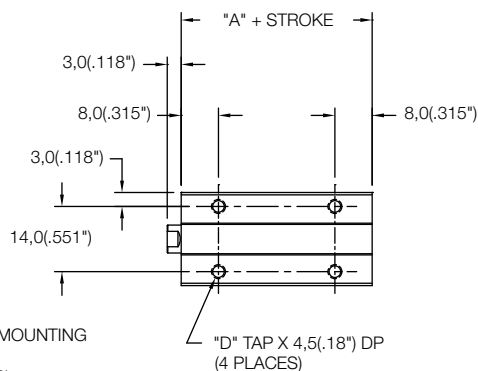
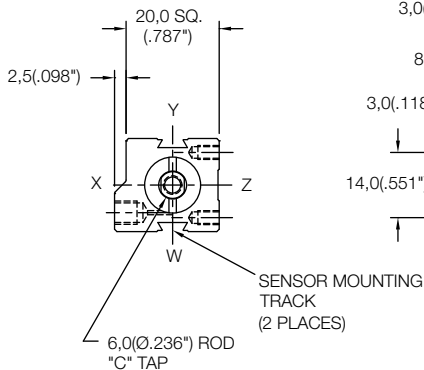
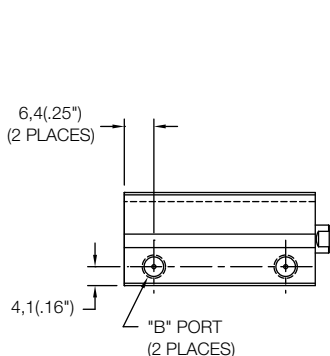
	Standard Threads	"EM" Option
"B"	M5X0,8	#10-32
"C"	M4X0,7	#8-32
"D"	M3X0,5	#4-40



### Magnetic Side Mount Cylinder "MS"

MODEL	TYPE	STANDARD STROKES	"A"	PISTON AREA
LS	-	15mm - 50mm	26,0(1.03")	PUSH 1,13 cm <sup>2</sup> (0.18 in <sup>2</sup> )
LE	-	10mm - 50mm	31,0(1.23")	
LH	-	5mm - 50mm	36,0(1.42")	PULL 0,85 cm <sup>2</sup> (0.14 in <sup>2</sup> )
LS	S,R	5mm - 25mm	41,0(1.62")	

	Standard Threads	"EM" Option
"B"	M5X0,8	#10-32
"C"	M4X0,7	#8-32
"D"	M3X0,5	#4-40



SENSORS SOLD SEPERATELY  
SKS, SKP, SCS, SCP - SOLID STATE  
LIMIT SENSORS (SEE PAGE 54)

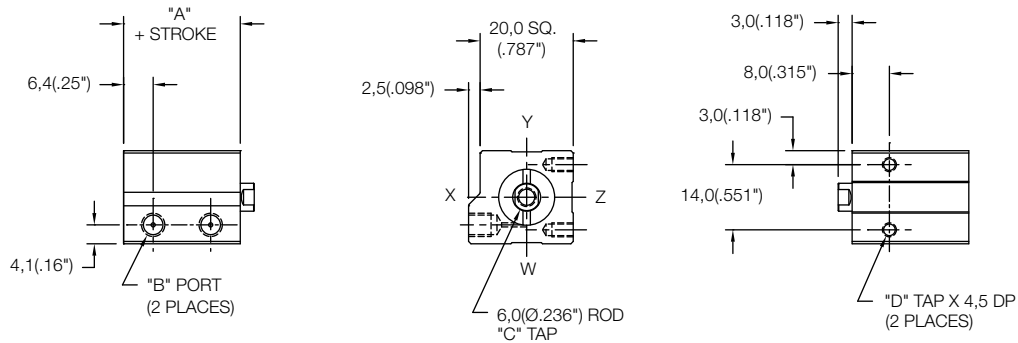
- MODEL  
LS  
LE  
LH
- 5mm - 50mm STROKE  
(SEE STROKE RANGE)
- BLANK - NO CODE, DOUBLE  
ACTING, SINGLE ROD
- S - SINGLE ACTING, SPRING RETRACT  
R - SINGLE ACTING, SPRING EXTEND
- MS - SIDE MOUNT  
FE - FLANGE ON END  
FS - FLANGE ON SIDE  
(SEE PAGE 59)

- EM - INCH THREADS & PORT OPTIONS
- HS - HIGH TEMPERATURE SEALS OPTION:  
AVAILABLE ON LE AND LH MODELS ONLY  
(SEE PAGE 62)
- RE - ROD EYE  
(SEE PAGE 61)
- RS - MALE STUD FOR ROD END  
(SEE PAGE 61)
- RF, RH, RN, RT, RV, RY - ROD EXTENSIONS  
(SEE PAGE 61)

### Non Magnetic Side Mount Cylinder "MS"

MODEL	TYPE	STANDARD STROKES	"A"	PISTON AREA
LS	-	10mm - 20mm	16,0(0.63")	PUSH 1,13 cm <sup>2</sup> (0.18 in <sup>2</sup> )
LE	-	5mm - 15mm	21,0(0.83")	
LH	-	5mm - 10mm	26,0(1.03")	PULL 0,85 cm <sup>2</sup> (0.14 in <sup>2</sup> )
LS	S,R	5mm	31,0(1.22")	

	Standard Threads	"EM" Option
"B"	M5X0,8	#10-32
"C"	M4X0,7	#8-32
"D"	M3X0,5	#4-40



### Non Magnetic Side Mount Cylinder "MS"

MODEL	TYPE	STANDARD STROKES	"A"	PISTON AREA
LS	-	25mm - 50mm	16,0(0.63")	PUSH 1,13 cm <sup>2</sup> (0.18 in <sup>2</sup> )
LE	-	20mm - 50mm	21,0(0.83")	
LH	-	15mm - 50mm	26,0(1.03")	PULL 0,85 cm <sup>2</sup> (0.14 in <sup>2</sup> )
LS	S,R	10mm - 25mm	31,0(1.22")	

	Standard Threads	"EM" Option
"B"	M5X0,8	#10-32
"C"	M4X0,7	#8-32
"D"	M3X0,5	#4-40

