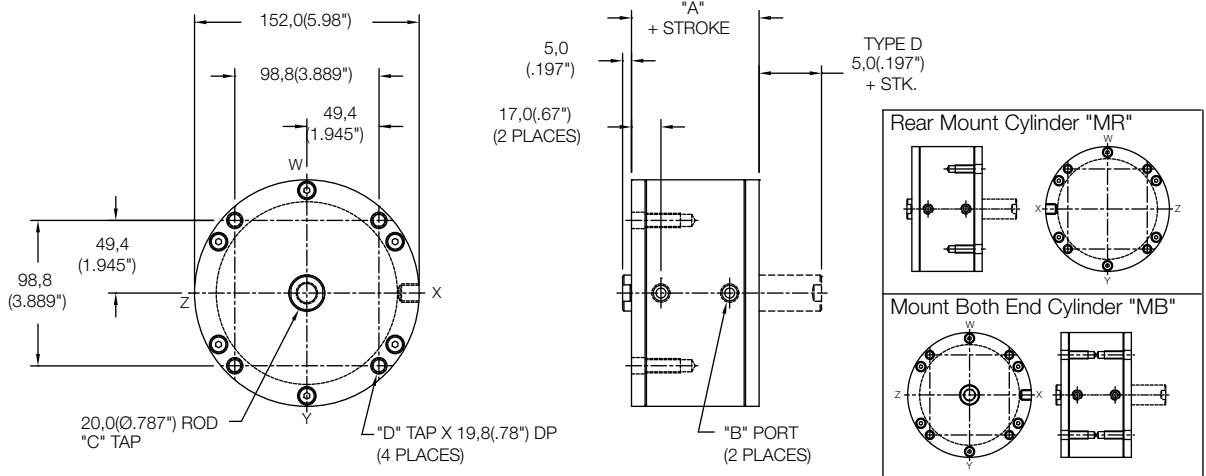


### Non Magnetic Front Mount Cylinder "MF"

MODEL	TYPE	STANDARD STROKES	"A"	PISTON AREA
LS	...D	10mm - 100mm	44,5(1.75")	PUSH 126,7 cm <sup>2</sup> (19.6 in <sup>2</sup> )
LE	-	5mm - 100mm	54,5(2.15")	
LH	...D	5mm - 100mm	64,5(2.54")	PULL 123,5 cm <sup>2</sup> (19.1 in <sup>2</sup> )

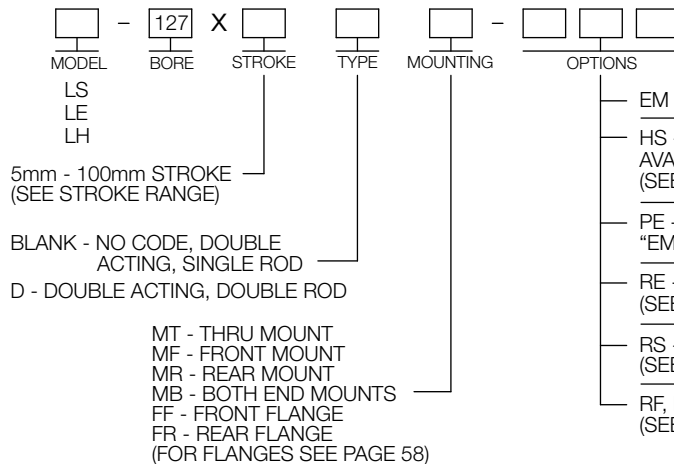
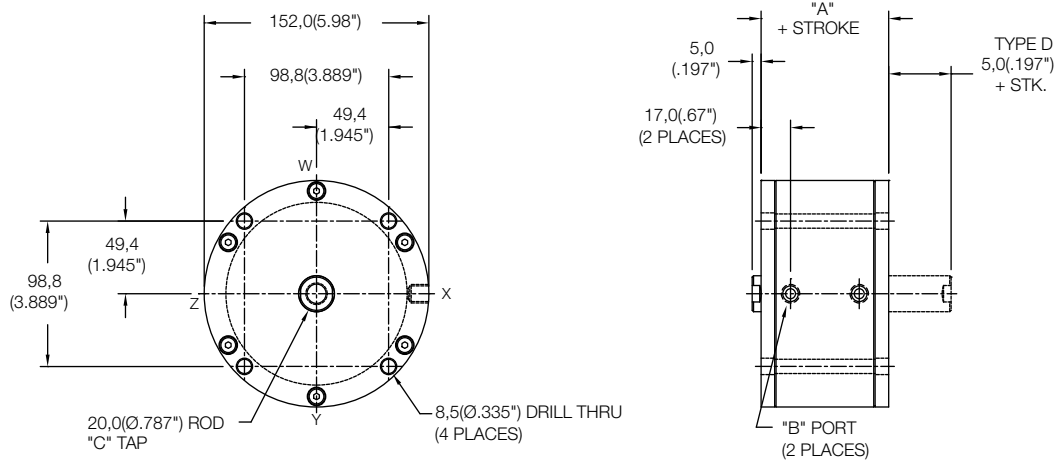
	Standard Threads	"EM" Option
"B"	G1/8 PORT	1/8-27
"C"	M12X1,75	1/2-13
"D"	M8X1,25	5/16-18



### Non Magnetic Thru Mount Cylinder "MT"

MODEL	TYPE	STANDARD STROKES	"A"	PISTON AREA
LS	...D	10mm - 45mm	44,5(1.75")	PUSH 126,7 cm <sup>2</sup> (19.6 in <sup>2</sup> )
LE	-	5mm - 35mm	54,5(2.15")	
LH	...D	5mm - 25mm	64,5(2.54")	PULL 123,5 cm <sup>2</sup> (19.1 in <sup>2</sup> )

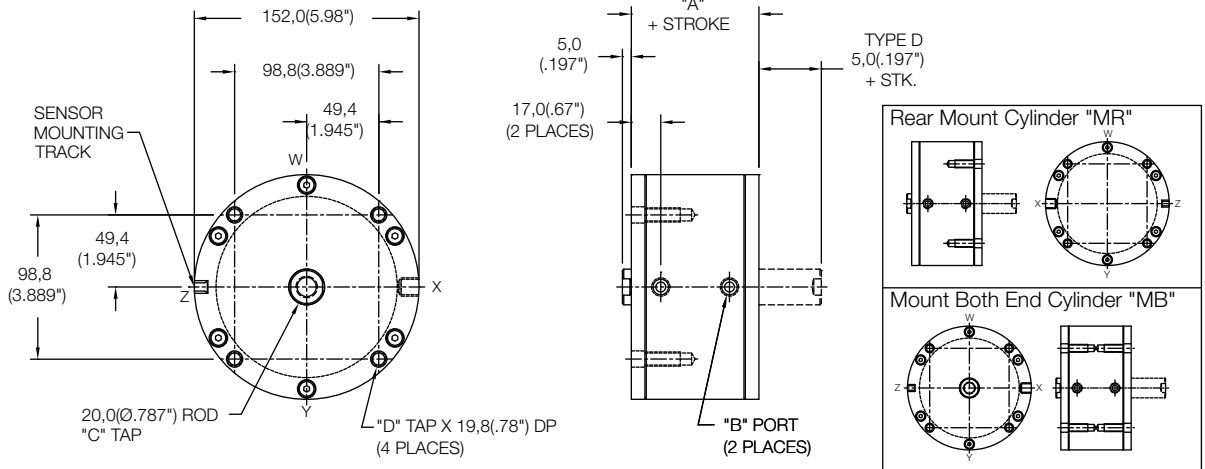
	Standard Threads	"EM" Option
"B"	G1/8 PORT	1/8-27
"C"	M12X1,75	1/2-13



### Magnetic Front Mount Cylinder "MF"

MODEL	TYPE	STANDARD STROKES	"A"	PISTON AREA
LS	_,D	10mm - 100mm	54,5(2.15")	PUSH 126,7 cm <sup>2</sup> (19.6 in <sup>2</sup> )
LE	-	5mm - 100mm	64,5(2.54")	
LH	_,D	5mm - 100mm	74,5(2.93")	PULL 123,5 cm <sup>2</sup> (19.1 in <sup>2</sup> )

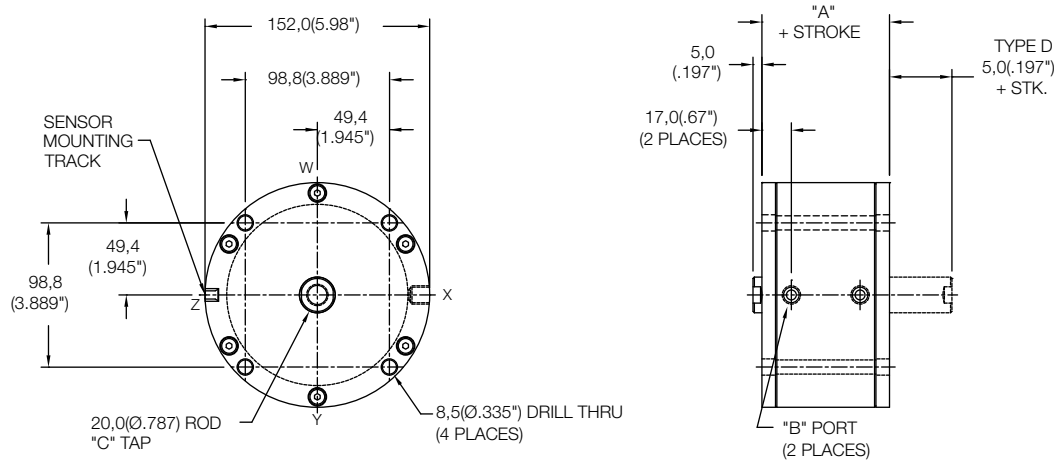
	Standard Threads	"EM" Option
"B"	G1/8 PORT	1/8-27
"C"	M12X1,75	1/2-13
"D"	M8X1,25	5/16-18



### Magnetic Thru Mount Cylinder "MT"

MODEL	TYPE	STANDARD STROKES	"A"	PISTON AREA
LS	_,D	10mm - 35mm	54,5(2.15")	PUSH 126,7 cm <sup>2</sup> (19.6 in <sup>2</sup> )
LE	-	5mm - 25mm	64,5(2.54")	
LH	_,D	5mm - 15mm	74,5(2.93")	PULL 123,5 cm <sup>2</sup> (19.1 in <sup>2</sup> )

	Standard Threads	"EM" Option
"B"	G1/8 PORT	1/8-27
"C"	M12X1,75	1/2-13



MODEL - 127 X STROKE TYPE MOUNTING M - OPTIONS

LS  
LE  
LH

5mm - 100mm STROKE  
(SEE STROKE RANGE)

BLANK - NO CODE, DOUBLE  
ACTING, SINGLE ROD  
D - DOUBLE ACTING, DOUBLE ROD

MT - THRU MOUNT  
MF - FRONT MOUNT  
MR - REAR MOUNT  
MB - BOTH END MOUNTS  
FF - FRONT FLANGE  
FR - REAR FLANGE  
(FOR FLANGES SEE PAGE 58)

SENSORS SOLD SEPARATELY  
SKS, SKP, SCS, SCP - SOLID STATE  
LIMIT SENSORS (SEE PAGE 54)

- EM - INCH THREADS & PORT OPTIONS
- HS - HIGH TEMPERATURE SEALS OPTION:  
AVAILABLE ON LE AND LH MODELS ONLY  
(SEE PAGE 62)
- PE - PORT ENLARGEMENT (AVAILABLE W/  
"EM" OPTION ONLY = 1/4-18 NPT PORTS)
- RE - ROD EYE  
(SEE PAGE 61)
- RS - MALE STUD FOR ROD END  
(SEE PAGE 61)
- RF, RH, RN, RT, RV, RY - ROD EXTENSIONS  
(SEE PAGE 61)