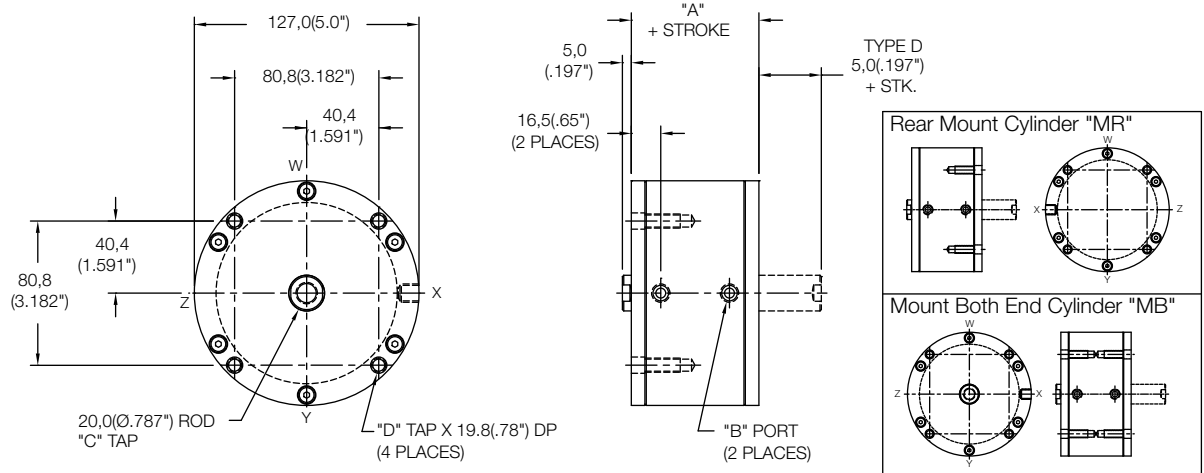


### Non Magnetic Front Mount Cylinder "MF"

MODEL	TYPE	STANDARD STROKES	"A"	PISTON AREA
LS	...D	10mm - 100mm	41,5(1.63")	PUSH 81,07 cm <sup>2</sup> (12.57 in <sup>2</sup> )
LE	-	5mm - 100mm	51,5(2.03")	
LH	...D	5mm - 100mm	61,5(2.42")	PULL 77,93 cm <sup>2</sup> (12.09 in <sup>2</sup> )

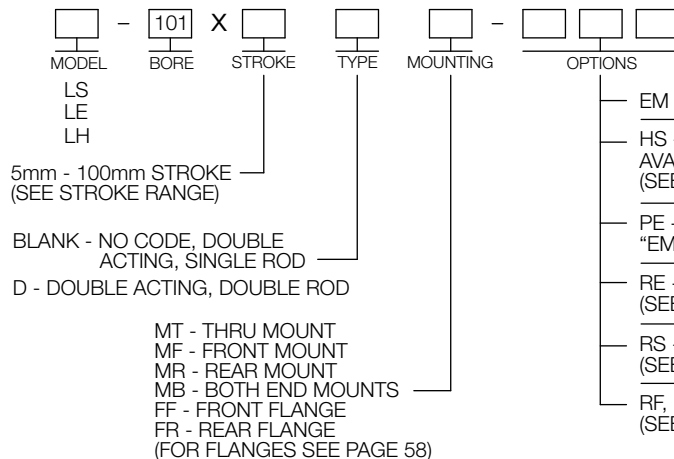
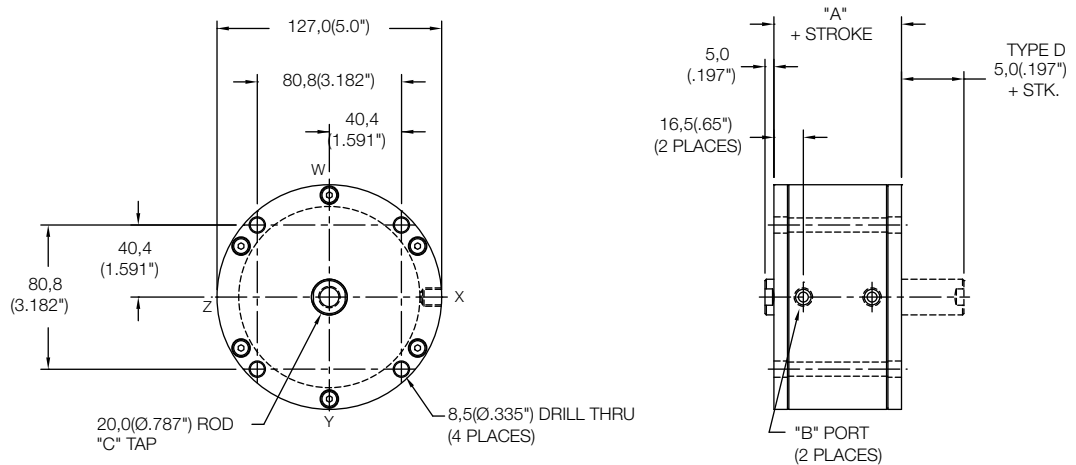
	Standard Threads	"EM" Option
"B"	G1/8 PORT	1/8-27
"C"	M12X1,75	1/2-13
"D"	M8X1,25	5/16-18



### Non Magnetic Thru Mount Cylinder "MT"

MODEL	TYPE	STANDARD STROKES	"A"	PISTON AREA
LS	...D	10mm - 50mm	41,5(1.63")	PUSH 81,07 cm <sup>2</sup> (12.57 in <sup>2</sup> )
LE	-	5mm - 40mm	51,5(2.03")	
LH	...D	5mm - 30mm	61,5(2.42")	PULL 77,93 cm <sup>2</sup> (12.09 in <sup>2</sup> )

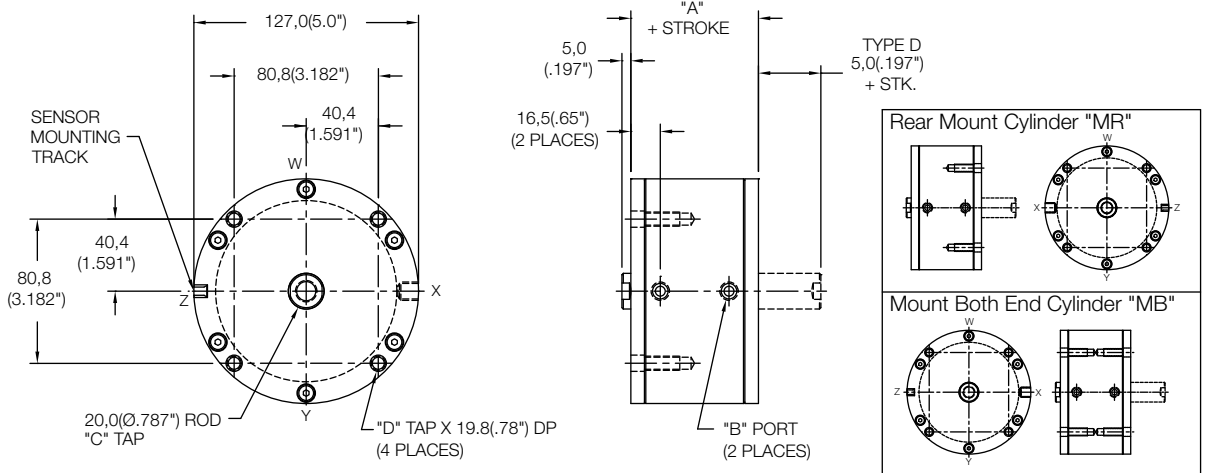
	Standard Threads	"EM" Option
"B"	G1/8 PORT	1/8-27
"C"	M12X1,75	1/2-13



### Magnetic Front Mount Cylinder "MF"

MODEL	TYPE	STANDARD STROKES	"A"	PISTON AREA
LS	..D	10mm - 100mm	51,5(2.03")	PUSH 81,07 cm <sup>2</sup> (12.57 in <sup>2</sup> )
LE	-	5mm - 100mm	61,5(2.42")	
LH	..D	5mm - 100mm	71,5(2.82")	PULL 77,93 cm <sup>2</sup> (12.09 in <sup>2</sup> )

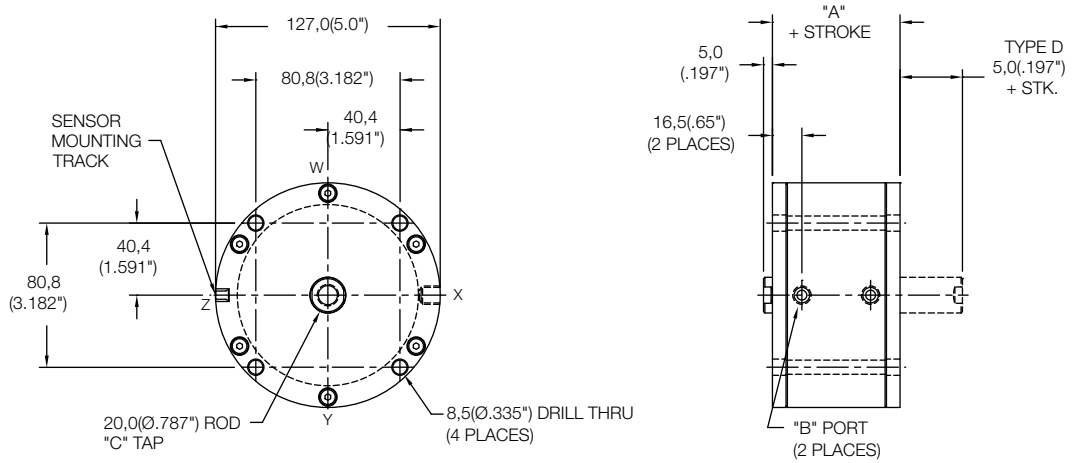
	Standard Threads	"EM" Option
"B"	G1/8 PORT	1/8-27
"C"	M12X1,75	1/2-13
"D"	M8X1,25	5/16-18



### Magnetic Thru Mount Cylinder "MT"

MODEL	TYPE	STANDARD STROKES	"A"	PISTON AREA
LS	..D	10mm - 40mm	51,5(2.03")	PUSH 81,07 cm <sup>2</sup> (12.57 in <sup>2</sup> )
LE	-	5mm - 30mm	61,5(2.42")	
LH	..D	5mm - 20mm	71,5(2.82")	PULL 77,93 cm <sup>2</sup> (12.09 in <sup>2</sup> )

	Standard Threads	"EM" Option
"B"	G1/8 PORT	1/8-27
"C"	M12X1,75	1/2-13



<table border="0"> <tr> <td>MODEL</td> <td>-</td> <td>101</td> <td>X</td> <td>STROKE</td> <td>TYPE</td> <td>MOUNTING</td> <td>MAGNETIC</td> <td>-</td> <td>OPTIONS</td> </tr> <tr> <td>LS LE LH</td> <td></td> <td></td> <td></td> <td>5mm - 100mm STROKE (SEE STROKE RANGE)</td> <td>BLANK - NO CODE, DOUBLE ACTING, SINGLE ROD D - DOUBLE ACTING, DOUBLE ROD</td> <td>MT - THRU MOUNT MF - FRONT MOUNT MR - REAR MOUNT MB - BOTH END MOUNTS FF - FRONT FLANGE FR - REAR FLANGE (FOR FLANGES SEE PAGE 58)</td> <td>M</td> <td></td> <td>                 SENSORS SOLD SEPARATELY                  SKS, SKP, SCS, SCP - SOLID STATE                  LIMIT SENSORS (SEE PAGE 54)             </td> </tr> </table>	MODEL	-	101	X	STROKE	TYPE	MOUNTING	MAGNETIC	-	OPTIONS	LS LE LH				5mm - 100mm STROKE (SEE STROKE RANGE)	BLANK - NO CODE, DOUBLE ACTING, SINGLE ROD D - DOUBLE ACTING, DOUBLE ROD	MT - THRU MOUNT MF - FRONT MOUNT MR - REAR MOUNT MB - BOTH END MOUNTS FF - FRONT FLANGE FR - REAR FLANGE (FOR FLANGES SEE PAGE 58)	M		SENSORS SOLD SEPARATELY SKS, SKP, SCS, SCP - SOLID STATE LIMIT SENSORS (SEE PAGE 54)	<table border="0"> <tr> <td>EM - INCH THREADS &amp; PORT OPTIONS</td> </tr> <tr> <td>HS - HIGH TEMPERATURE SEALS OPTION: AVAILABLE ON LE AND LH MODELS ONLY (SEE PAGE 62)</td> </tr> <tr> <td>PE - PORT ENLARGEMENT (AVAILABLE W/ "EM" OPTION ONLY = 1/4-18 NPT PORTS)</td> </tr> <tr> <td>RE - ROD EYE (SEE PAGE 61)</td> </tr> <tr> <td>RS - MALE STUD FOR ROD END (SEE PAGE 61)</td> </tr> <tr> <td>RF, RH, RN, RT, RV, RY - ROD EXTENSIONS (SEE PAGE 61)</td> </tr> </table>	EM - INCH THREADS & PORT OPTIONS	HS - HIGH TEMPERATURE SEALS OPTION: AVAILABLE ON LE AND LH MODELS ONLY (SEE PAGE 62)	PE - PORT ENLARGEMENT (AVAILABLE W/ "EM" OPTION ONLY = 1/4-18 NPT PORTS)	RE - ROD EYE (SEE PAGE 61)	RS - MALE STUD FOR ROD END (SEE PAGE 61)	RF, RH, RN, RT, RV, RY - ROD EXTENSIONS (SEE PAGE 61)
MODEL	-	101	X	STROKE	TYPE	MOUNTING	MAGNETIC	-	OPTIONS																		
LS LE LH				5mm - 100mm STROKE (SEE STROKE RANGE)	BLANK - NO CODE, DOUBLE ACTING, SINGLE ROD D - DOUBLE ACTING, DOUBLE ROD	MT - THRU MOUNT MF - FRONT MOUNT MR - REAR MOUNT MB - BOTH END MOUNTS FF - FRONT FLANGE FR - REAR FLANGE (FOR FLANGES SEE PAGE 58)	M		SENSORS SOLD SEPARATELY SKS, SKP, SCS, SCP - SOLID STATE LIMIT SENSORS (SEE PAGE 54)																		
EM - INCH THREADS & PORT OPTIONS																											
HS - HIGH TEMPERATURE SEALS OPTION: AVAILABLE ON LE AND LH MODELS ONLY (SEE PAGE 62)																											
PE - PORT ENLARGEMENT (AVAILABLE W/ "EM" OPTION ONLY = 1/4-18 NPT PORTS)																											
RE - ROD EYE (SEE PAGE 61)																											
RS - MALE STUD FOR ROD END (SEE PAGE 61)																											
RF, RH, RN, RT, RV, RY - ROD EXTENSIONS (SEE PAGE 61)																											